

# WEATHER SHIELD WPR36

## FOR THE WALLBOXES eMH3 and eM4 Twin

The weather shield WPR36 is designed for wall installation, and especially as a perfect fit for ABL's charging poles POLEMH3, POLEM4 Twin and POLEMH6. The weather shield is colour coordinated with the charging poles and cable holders, blending harmoniously into the overall look of the charge point. The functional design of the WPR36 provides additional weathering protection for the wallbox.



### General information

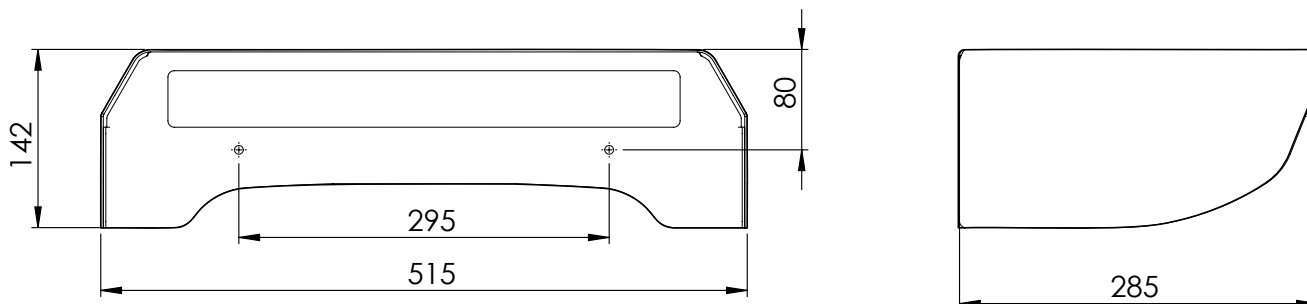
Model	Weather protection roof for Wallboxes eMH3 and eM4 Twin
Product number	WPR36
EAN number	4011721185583
Commodity code	85381000
Packaging unit (PU)	1 unit
Items supplied	Weather shield, mounting kit, download notice

### Construction

Type	Metal shield with pre-drilled holes and custom cut-out to fit the top part of the mounting poles POLEMH3 and POLEM4 Twin
Fixing type	Screw mounted to a wall, or to a charging pole POLEMH3, POLEM4 Twin or POLEMH6, using the screws included
Material	Passivated and base coated sheet metal (material: DC01)
Housing colour	Fine-textured, RAL 9011 satin
Product dimensions (HxWxD)	142 x 515 x 285 mm
Packaging dimensions (HxWxD)	520 x 290 x 150 mm
Weight (net)	Approx. 3.87 kg
Weight (gross)	Approx. 4.5 kg

## Dimensioned drawing

---



Subject to change: All performance characteristics, technical and other specifications are subject to change without prior notice.