



| PART NUMBER | RATED POWER | VOLTAGE | DIMENSIONS | CURRENT | WEIGHT |
|---------------|-------------|----------|-------------|---------|--------|
| M-MALIBU-2000 | 2000W | 220-240V | 102 x 17 cm | 8.7A | 6kg |

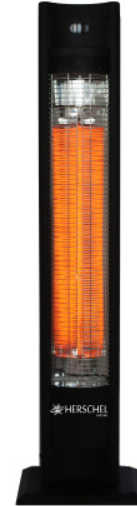
FEATURES AND BENEFITS

The sleek and stylish design of the freestanding Herschel MALIBU makes it the perfect choice in outdoor heating for those looking for a powerful, portable solution. Ideal for both home patios or restaurant terraces, the commercial-grade Malibu comfortably warms those close by - creating cosy radiant warmth from a pleasant orange glow that adds to the ambience of any outdoor space.

Malibu utilises Herschel's long life woven carbon fibre lamp to provide a stylish, efficient and versatile heating solution. Easy to operate, simply plug in and switch on, the Malibu has two power levels (50% and 100%) for additional flexibility as well as featuring a 00-24 hour timer to allow the hours of operation to be set. It can also be controlled by a remote control that is supplied with the heater.

Completely silent in use and odour free in operation, the Malibu incorporates tip-over safety protection to switch the heater off in the event it is knocked over.

The Malibu can also be used indoors as a portable heater - providing a fantastically versatile heating option that can be easily moved to wherever extra warmth is required such as a conservatory or colder room.



Heating element: Long Life warm glow carbon filament heating lamp

Body: Powder coated, extruded aluminium

Cable length: 2m

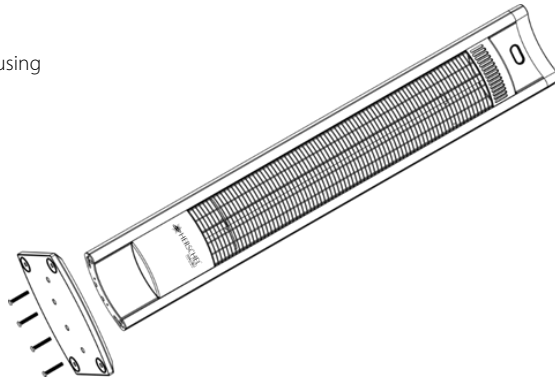
Warm Up Time: 5 - 10 seconds

Useful w/r: 2 – 5µm

IP rating: IPX5

ASSEMBLY DIAGRAM

Secure the base to the heater using the screws provided



IMPORTANT

The Malibu is fitted with a plug and intended to be portable, it is not intended for permanent (fixed) installation. Be careful not to touch the surface of the heater during operation and let the heater cool down fully before moving. Always refer to the installation instructions before use and installation. Suitable for outdoor use.

The Herschel Malibu is guaranteed against failure due to faulty materials or workmanship for up to two years. The warranty excludes the lamp and remote control. In the unlikely event of failure of the unit within this time, the unit must be returned to the supplier for repair or replacement. Refer to the warranty policy on Herschel-infrared.co.uk for more detail, including exclusions. The guarantee is invalid if the correct operational instructions have not been adhered to. Do not cover the heater. Keep the heater away from any combustible materials. Ensure supply voltage does not exceed 245 Volts.

