



SRK71ZR-W / SRC71ZR-W

7.1 (2.3~7.8)

Indoor Unit : SRK71ZR-W

Outdoor Unit : SRC71ZR-W

Specifications

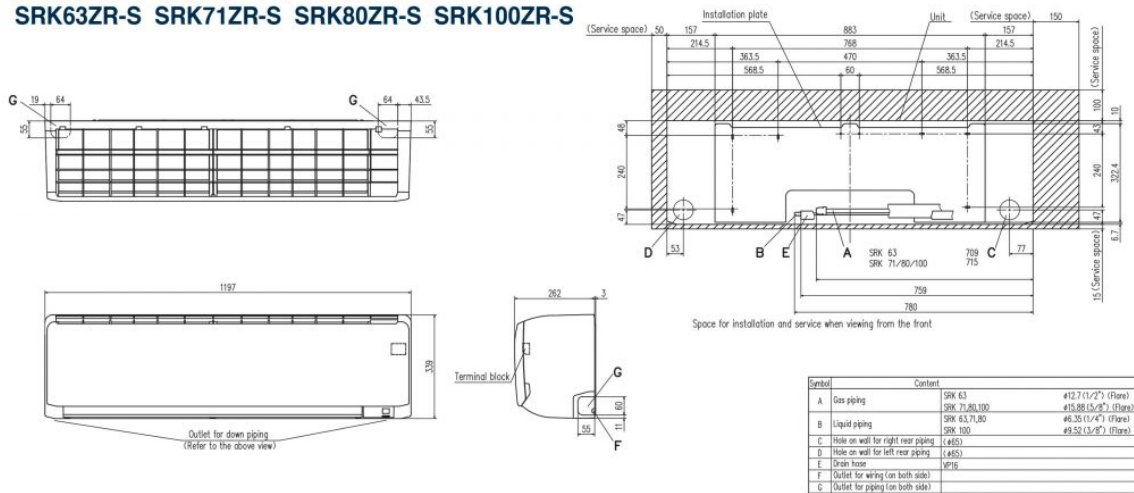
R32

Indoor unit			SRK71ZR-W
Outdoor unit			SRC71ZR-W
Power source			1Phase, 220 - 240, 50Hz
Nominal cooling capacity (Min~Max)		kW	7.1 (2.3~7.8)
Nominal heating capacity (Min~Max)		kW	8.0 (2.0~10.8)
Power consumption	Cooling/Heating	kW	1.93 / 1.95
EER/COP	Cooling/Heating		3.68 / 4.10
Max. running current		A	17
Sound power level	Indoor	Cooling/Heating	57 / 60
	Outdoor	Cooling/Heating	63 / 63
Sound pressure level	Indoor	Cooling (Hi/Me/Lo/Ulo)	44 / 41 / 37 / 25
		Heating (Hi/Me/Lo/Ulo)	46 / 39 / 35 / 28
	Outdoor	Cooling/Heating	53 / 51
Air flow	Indoor	Cooling (Hi/Me/Lo/Ulo)	20.5 / 18.6 / 16.2 / 10.4
		Heating (Hi/Me/Lo/Ulo)	25.0 / 19.8 / 17.3 / 13.3
	Outdoor	Cooling/Heating	55 / 43.5
Exterior Dimensions	Indoor	Height x Width x Depth	339 x 1197 x 262
	Outdoor		750 x 880(+88) x 340
Net weight	Indoor / Outdoor		kg 15.5 / 56.0
Refrigerant	Type/GWP		R32 / 675
Refrigerant	Charge	kg/TCO2Eq	1.5 / 1.013
Refrigerant piping size	Liquid/Gas	ø inch	6.35(1/4") / 15.88(5/8")
Refrigerant line (one way) length		m	Max. 30
Vertical height differences	Outdoor is higher/lower	m	Max. 20 / Max. 20
Outdoor operating temperature range	Cooling	°C	-15~46
	Heating		-15~24
Clean filter			Allergen Clear Filter x 1, Photocatalytic Washable Deodorizing Filter x 1
Energy Class (Cooling/Heating)			A+ +/A+
SEER			7.40
SCOP (Average climate)			4.50
Pdesign (cooling/heating(@-10°C))		kW	7.10/6.60
Annual Electricity Consumption (cooling/heating)		kWh/a	337/2055
Designated Heating Season			Average

- The data is measured under the following conditions(ISO-T1, H1). Cooling: Indoor temp. of 27°CDB, 19°CWB, and outdoor temp. of 35°CDB. Heating: Indoor temp. of 20°CDB, and outdoor temp. of 7°CDB, 6°CWB.
- Sound level indicates the value in an anechoic chamber. During operation these values are somewhat higher due to ambient conditions.
- 'tonne(s) of CO2 equivalent' means a quantity of greenhouse gases- expressed as the product of the weight of the greenhouse gases in metric tonnes and of their global warming potential.
- SEER/SCOP are based on EN14825:2016 and Commission regulation (EU) No.2016/2281

Schematics

SRK63ZR-W SRK71ZR-W SRK80ZR-W SRK63ZR-S SRK71ZR-S SRK80ZR-S SRK100ZR-S



SRC71ZR-W SRC80ZR-W SRC71ZR-S SRC80ZR-S

