

DEHNconnect DCO SD2 M...

- DE Einbauanleitung
- GB Installation instructions
- IT Istruzioni di montaggio
- FR Instructions de montage
- NL Montagehandleiding
- ES Instrucciones de montaje
- PT Instruções de montagem
- DK Monteringsvejledning
- SE Monteringsanvisning
- FI Asennusohje
- GR Οδηγίες συναρμολόγησης
- PL Instrukcja montażu
- CZ Montážní návod
- TR Kurulum Talimatları
- RU Инструкция по монтажу
- CN 安装说明
- HU Szerelési útmutató
- JP 設置説明書

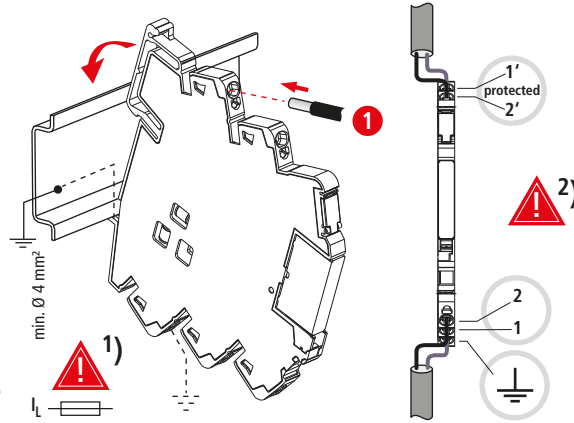
DEKRA 17ATEX0046X
II 3 G Ex ec IIC T4/T5/T6 Gc
IECEx DEK 17.0023X
Ex ec IIC T4/T5/T6 Gc



Standards:
for ATEX: EN 60079-0 + A11
EN 60079-7
for IECEx: IEC 60079-0 + Cor. 1 + 2
IEC 60079-7

Ambient Temperature range:
-40 °C ... +30 °C for temperature class T6
-40 °C ... +80 °C for temperature class T5
-40 °C ... +80 °C for temperature class T4

Special conditions for safe use:
The equipment shall only be used in an area of at least pollution degree 2, as defined in IEC 60664-1.
The equipment shall be installed in an enclosure, that provides a minimum ingress protection of IP 54 in accordance with IEC 60079-0, and that is suitable for the environment and correctly installed.

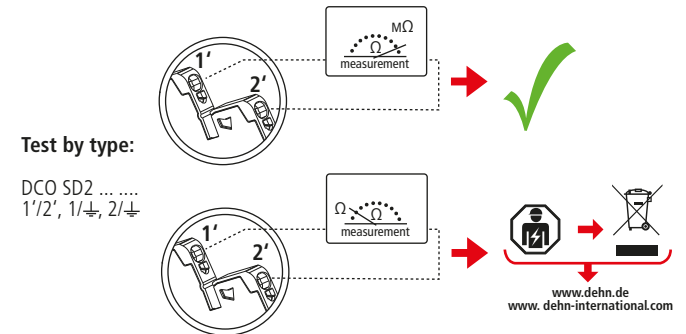
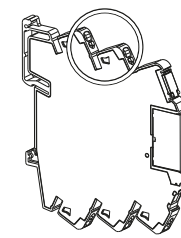
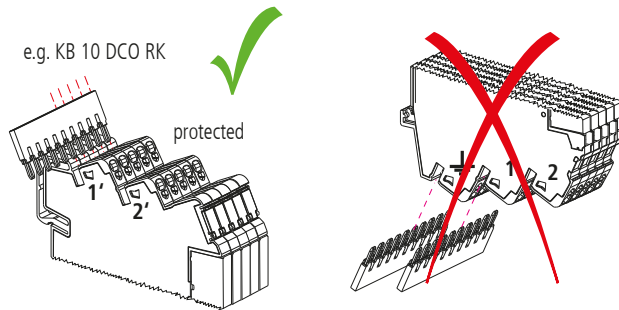
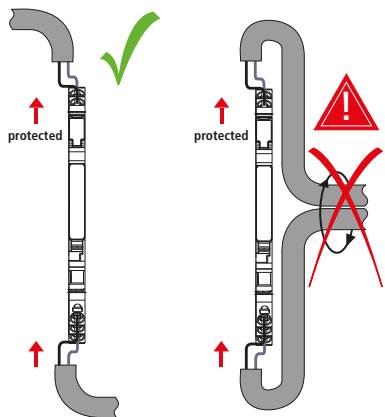
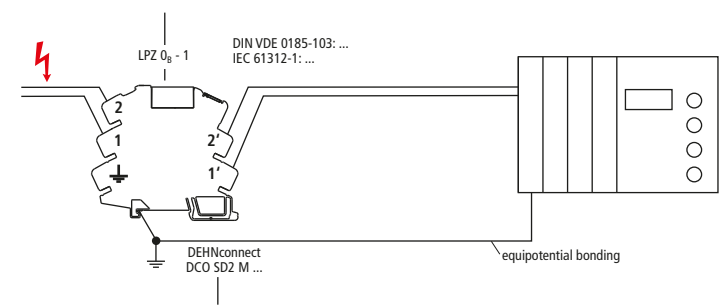
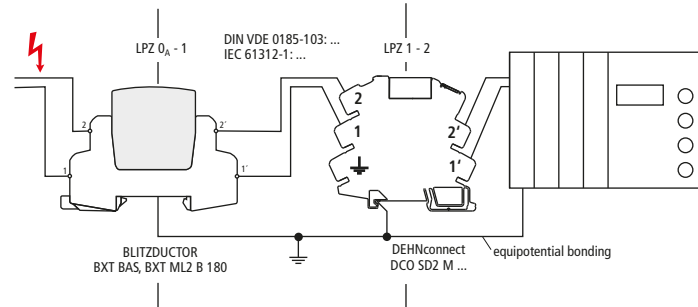
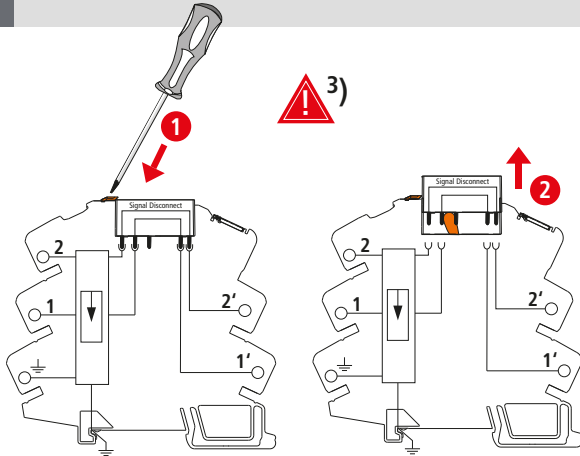
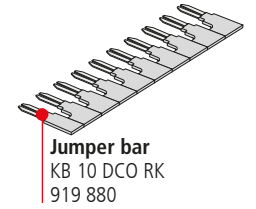


	9-10 mm / 0.35 - 0.39 in
2, 2', 1, 1'	min. 0,34 mm² (AWG 22)
	max. 2,5 mm² (AWG 14)

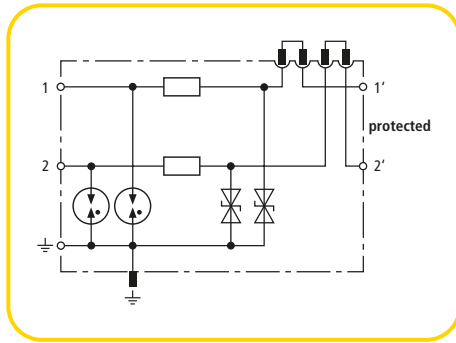
θ °C	-40°C ... +80°C
IP-Code	00

Type

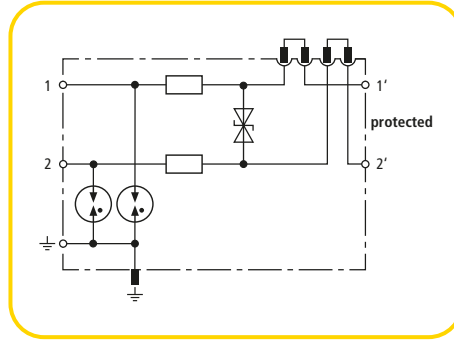
DCO SD2...	...ME 12	...ME 24	...ME 48	...MD 12	...MD 24	...MD 48	...MD HF 5
Part No.	917 920	917 921	917 922	917 940	917 941	917 942	917 970
U _N (V)	12	24	48	12	24	48	5
U _C (V)	14	33	55	14	33	55	8.5
I _L (A)	0.5	0.5	0.5	0.5	0.5	0.5	0.5
I _n (kA)	5	5	5	5	5	5	5



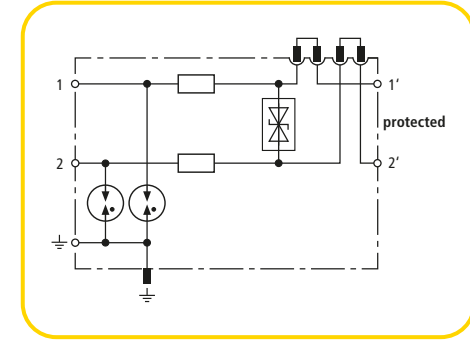
DCO SD2 ME ... Part No. 917 9XX



DCO SD2 MD ... Part No. 917 9XX



DCO SD2 MD HF 5 ... Part No. 917 970



UL requirements

1. These protectors are intended for ordinary indoor use on communication loop circuits that are isolated from the Public Switched Telephone Network.
2. The DEHNconnect protectors shall be secured to a compatible Din Rail ground bar using the methods described in this instruction.
3. Proper grounding continuity shall be determined.
4. Please install the protectors in accordance with modules with the applicable requirements of the National Electrical Code, Article 800 or other applicable local codes if installed in the U.S.

Tabulation Strike voltage in accordance with UL 497 B (Protectors for Data Communication and Fire Alarm Circuits)						
Type	Part No.	Voltage breakdown 100 Volts / sec				Impulse voltage 100 Volts / μ sec
		Line to Line		Line to Ground		
		min.	max.	min.	max.	
DCO SD2 ME 12	917 920	--	--	16 V	22 V	< 1000
DCO SD2 ME 24	917 921	--	--	37 V	52 V	< 1000
DCO SD2 ME 48	917 922	--	--	64 V	90 V	< 1000
DCO SD2 MD 12	917 940	16 V	22 V	--	--	< 1000
DCO SD2 MD 24	917 941	37 V	52 V	--	--	< 1000
DCO SD2 MD 48	917 942	64 V	90 V	--	--	< 1000
DCO SD2 MD HF 5	917 970	10 V	13 V	--	--	< 1000