

Pulsar Plus Socket – Online Installation Guide

support.wallbox.com/en/knowledge-base/pulsar-plus-socket-online-installation-guide

28 November 2023

1. Technical Specifications

You can consult the complete Datasheet [here](#).

1.1 General Specifications

Charging Mode (IEC 61851-1)	Mode 3
Connector Type	Type 2 socket outlet (shutter) ^[1]
Dimensions	204.3 x 131 x 142.5 mm
Weight	2.5 kg
Operating Temperature	-30 °C to 40 °C
Storage Temperature	-40 °C to 70 °C
Protecting Ratings	IP55, IK10 (High resistance)
Installation location	Indoor and outdoor use
Mounting Method	Stationary equipment is mounted on the wall. Floor mounting with appropriate Wallbox accessories.
Intended for use	Equipment intended for use by ordinary persons.
Location accesses	Equipment for locations with non-restricted access and restricted access.
Standards	RED Directive 2014/53/EU and RoHS Directive 2011/65/EU

^[1]Compliant with IEC 62196-2 and NFC 15-100 for France.

1.2 Electrical Specifications

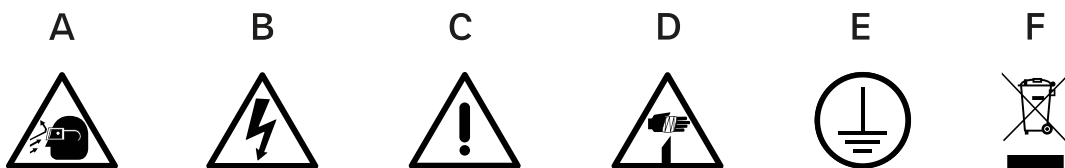
Charging Power	7,4 kW (1P) 1	11 kW (3P) 2	22 kW (3P)
Rated Voltage AC \pm 10%	230 V	400 V	400 V
Rated Current	32A	32A	32A

^[1]Pulsar Plus Socket can be installed in a single phase installation (see installation guide)

^[2] 22kW version is limited to 11kW during installation.

Configurable Current	From 6A to rated current
Rated Frequency	50 Hz / 60 Hz
Protection rating	IP55 / IK10
Overvoltage Category	CAT III
Residual Current Protection	AC 30mA / DC 6mA
External RCD required for local regulations	Type A or Type B
Protection against electric shock	CLASS I
Input Cable Section	Up to 5×10 mm ²
Rated diversity factor (RDF)	1
Rated insulation voltage	1430 Vrms
Rated impulse withstand voltage	2500 V

2. Safety Warnings



- **A.** Flying debris, risk of eye injury
- **B.** Risk of electric shock. Disconnect and wait 10 mins.
- **C.** Caution
- **D.** Sharp element, risk of dangerous cuts
- **E.** Ground earth connection required
- **F.** Special waste treatment

3. Safety Instructions

You can consult the Safety Instructions [here](#).

4. Tools and Mounting Parts

Required tools



- Hammer
- Step drill bit 8mm
- Pencil
- Sprit Level
- Measuring Tape

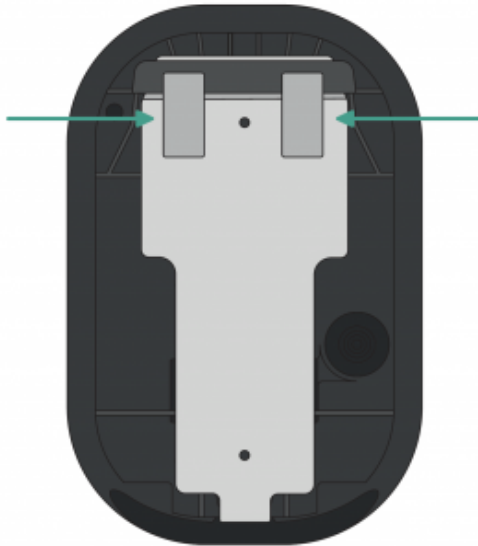


- Cutting Pliers
- HEX tube key Ø6
- Security Torx T20
- Utility knife
- Mobile Phone

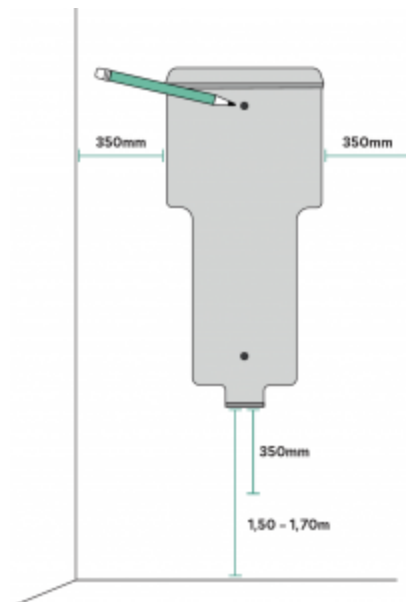
Included Parts



5. Installing the Wallplate

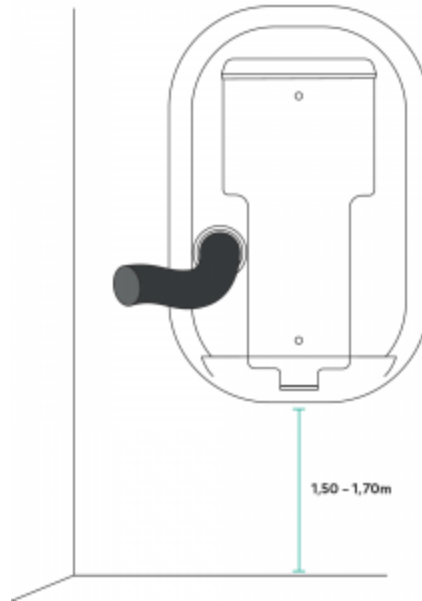


1. Remove the tape from the wall plate to detach it from the charger.



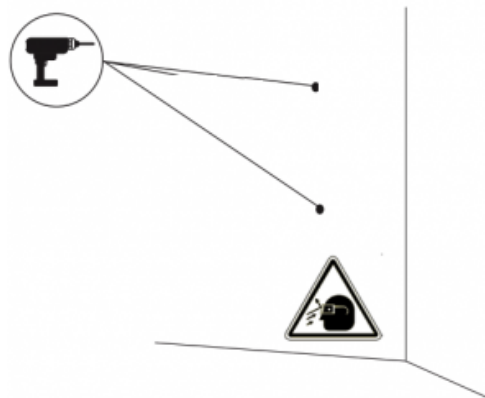
2. Place the wall plate straight. Use a pencil, a measuring tape and a spirit level to mark the position of the screws.



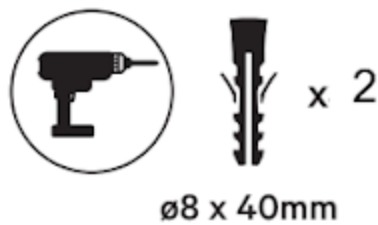


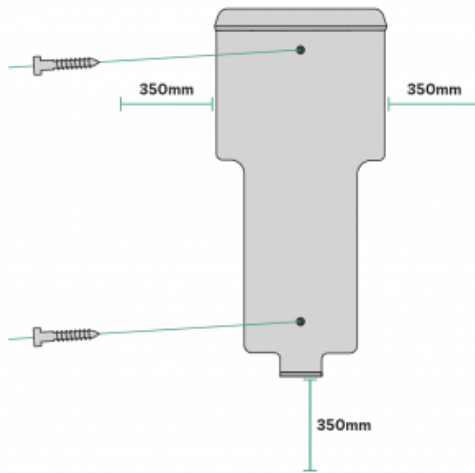
DISCLAIMER

If your power supply wiring comes from the wall, ensure that the wall plate is positioned so that the body hole aligns with the power supply wiring.



3. Drill three holes with the appropriate sized bit. Place the wall plate in alignment with the holes. If you mount your charger on a solid wall, use the wall anchors provided.





4. Firmly mount the wall plate using the provided wall screws. Do not over-tighten the screws. If the power supply wiring comes from the wall, place the wires through the hole before fixing the wall plate.



6. Preparing the Charger

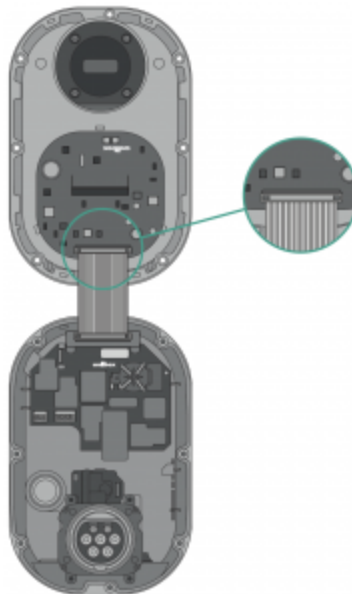
Make sure to power off all the connections before going through these steps.



5. Unclip the style cover by pressing the socket lid with your fingers carefully.



6. Remove the two corner screws and carefully lift the cover.



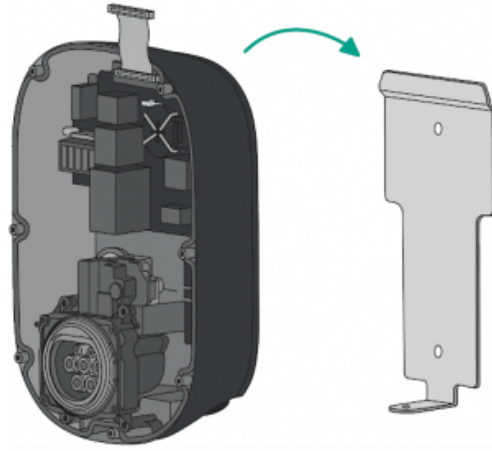
7. Carefully detach the ribbon cable from the cover by pressing the lateral latches. Set the cover aside.

IMPORTANT: Make sure to power off all the connections.

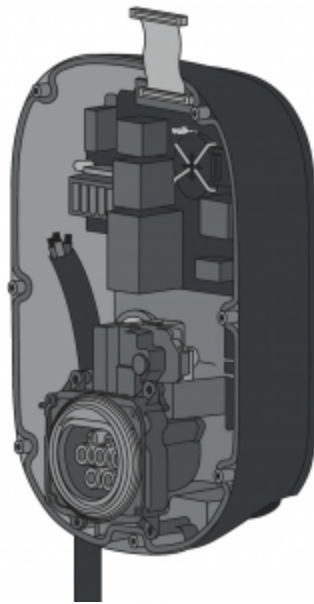
7. Lower Connection

IMPORTANT

Follow these instructions only if you intend to install the product by using the lower hole. For the rear connection, go to part “**7. Rear Connection**”.



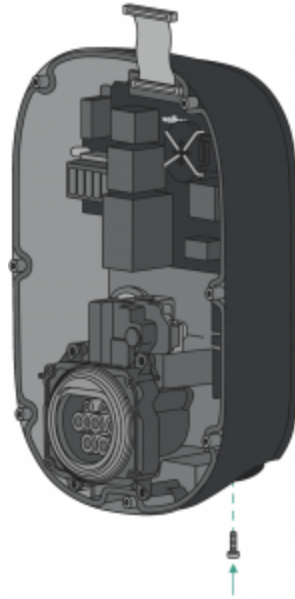
1. Lift your charger and hang it from the top of the wall plate.



2. Secure the charger to the wall plate using the security screws.



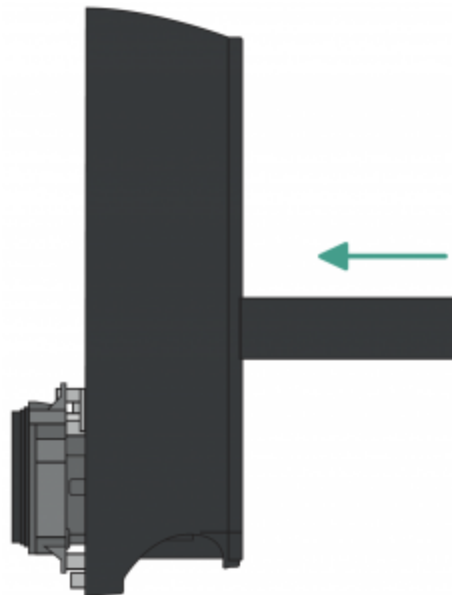
T20 4x 10mm
Security Torx Screws



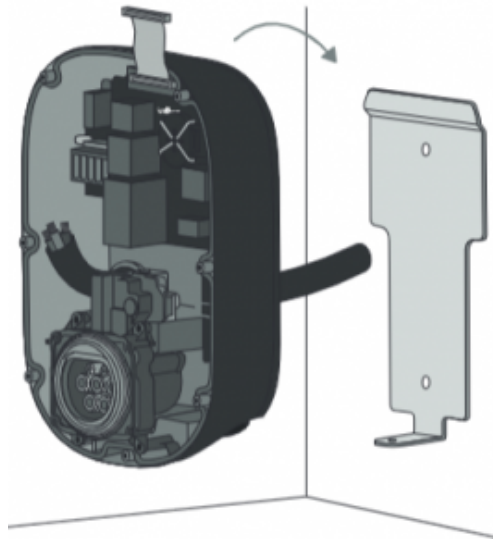
3. Make an incision on the lower grommet and insert the power supply cable. Make sure the grommet seals entirely the power cable supply insertion.



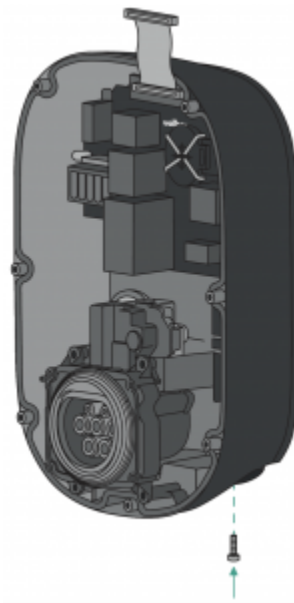
8. Rear Connection



1. Make an incision on the rear grommet and insert the power supply cable. Make sure the grommet seals entirely the power cable supply insertion.

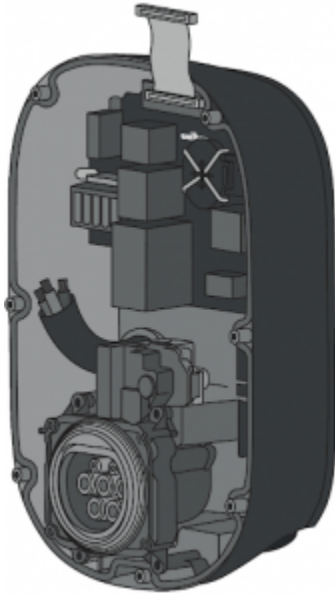


2. Lift your charger and hang it from the top of the wall plate.



3. Secure the charger to the wall plate using the security screws.



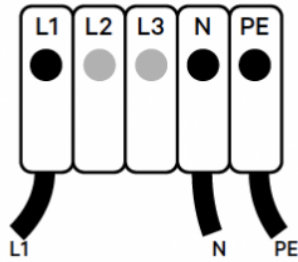


4. Proceed to the next section to connect the power supply cable.

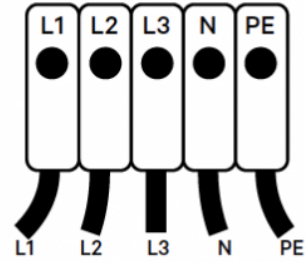
9. Electrical Wiring

Please refer to the wiring diagram provided below following your electrical setup.

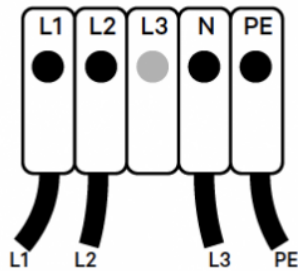
A. Single Phase Set-up
Configuración monofásica



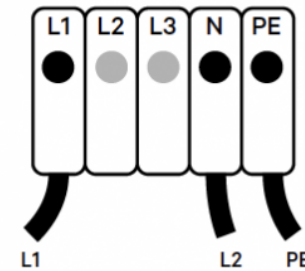
B. Three-Phase Set-up
Configuración trifásica



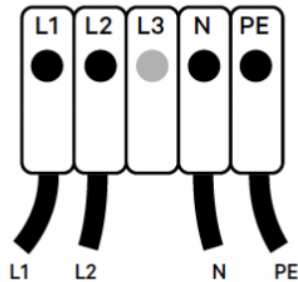
C. Three-Phase No Neutral
Trifásico sin neutro



D. Bi-phase No Neutral
Bifásico sin neutro



E. Bi-phase Set-up
Configuración bifásica



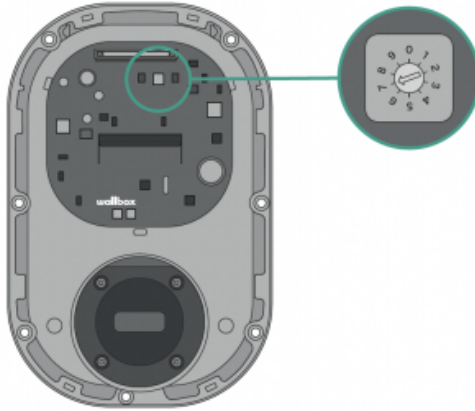
F. Ensure that the maximum voltage is less than 264 V between L & N inputs.

Asegúrate de que la tensión máxima sea inferior a 264 V entre las entradas L y N.



10. Configuring the Charger

10.1. Maximum Current Selection



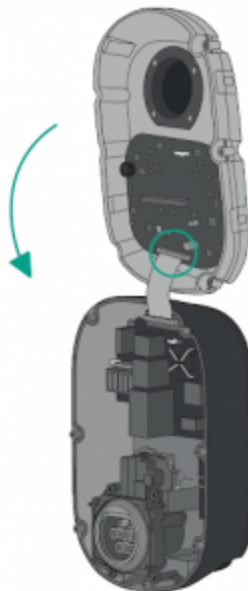
1. Locate the current selector inside the charger.

POSITION	0	1	2	3	4	5	6	7	8	9
CURRENT (A)	R	6	10	13	16	20	25	32	R	R

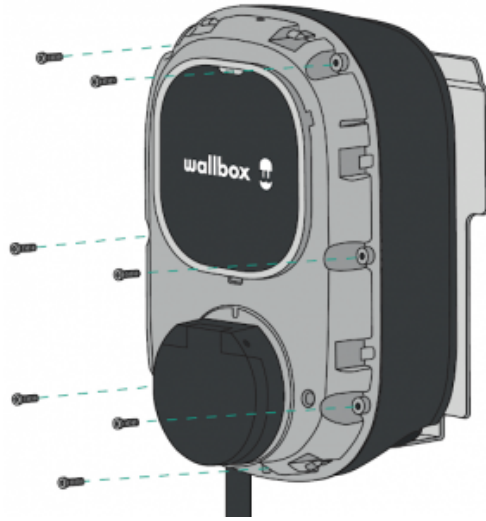
! **Only for Germany:** According to VDE-AR-N 4100:2019-04, if the installation is single phase, the maximum current needs to be set to a value equal or lower than 20A.

2. To set the maximum charging current of the charger, position the current selector to the appropriate setting following the tab. **Make sure the selector does not point to 0, 8 and 9.**

10.3. Closing the Charger



1. Carefully reattach the communication cable to the charger cover and close it.



2. Insert seven corner screws to secure the charger cover. Do not over-tighten.



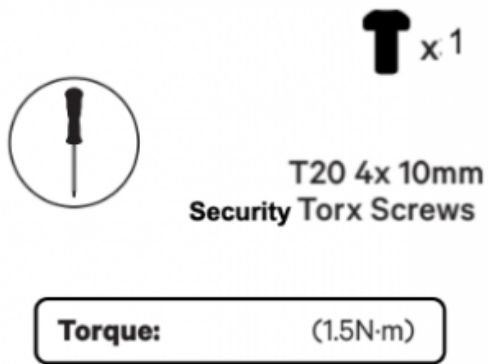
T20 4x 10mm
Torx Screws

Torque:

(1.5N·m)



3. Clip back the cover frame on the charger and fix it with the other security screw. Do not over-tighten.



10.4. Making the charger smart

1. [Download the myWallbox app](#) and [create an account](#) for the client.
2. Follow [this guide to add the charger](#) to your newly created account.
3. Make sure your charger is updated to its latest software version.
4. You can now use all the charger smart features such as [scheduled charging sessions](#), managing the charger through the myWallbox portal and adjusting your charger settings.