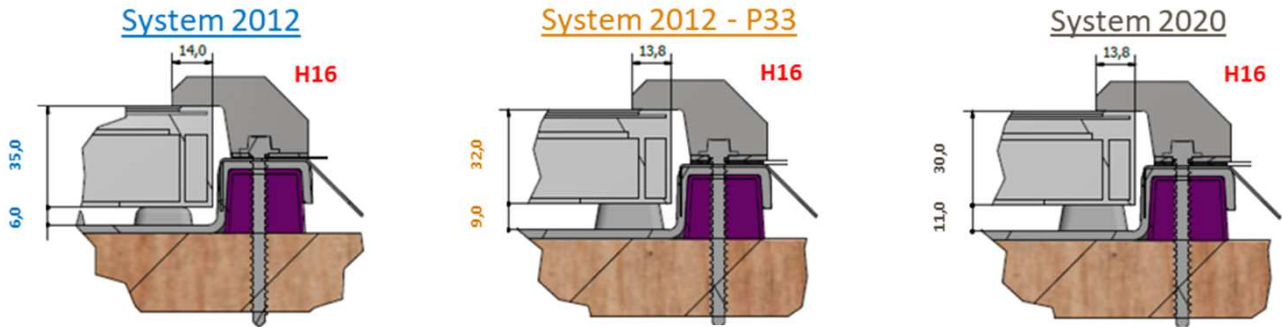


# GSE In-Roof – Evolution of the system



	Réf.	PV module dimensions					Clamps																						
		Height			Width		Module thickness (mm)																						
		Min. tolerated	Min. suggested	Max.	Min. tolerated	Min. suggested	Max.	30	31	32	33	34	35	36	37	38	39	40	41	42	43	44	45	46	47	48	49	50	
PORTRAIT Version 2012	1580_808	1500	1540	1620	799	803	808								H16	H19	H21	H23	H26	H27								H31	
	1575_1046	1495	1535	1615	1037	1041	1046								H16	H19	H21	H23	H26	H27								H31	
	1575_1053	1495	1535	1615	1044	1048	1053								H16	H19	H21	H23	H26	H27								H31	
	1575_1082	1495	1535	1615	1073	1077	1082								H16	H19	H21	H23	H26	H27								H31	
	1640_992	1560	1600	1680	983	987	992								H16	H19	H21	H23	H26	H27								H31	
	1640_1001	1560	1600	1680	992	996	1001								H16	H19	H21	H23	H26	H27								H31	
	1640_1001_33	1560	1600	1680	992	996	1001				H16				H19	H21		H23	H26	H27							H31		
	1686-1700_1016	1605	1645	1725	1007	1011	1016								H16	H19	H21	H23	H26	H27								H31	
Version 2020	1710_1000	1630	1670	1750	991	995	1000	H16	H19	H21	H23	H26	H27							H31									
	1710_1005	1630	1670	1750	996	1000	1005	H16	H19	H21	H23	H26	H27							H31									
	1710_1020	1630	1670	1750	1011	1015	1020	H16	H19	H21	H23	H26	H27							H31									
	1710_1025	1630	1670	1750	1016	1020	1025	H16	H19	H21	H23	H26	H27							H31									
	1710_1030	1630	1670	1750	1021	1025	1030	H16	H19	H21	H23	H26	H27							H31									
	1710_1050	1630	1670	1750	1041	1045	1050	H16	H19	H21	H23	H26	H27							H31									
	1710_1060	1630	1670	1750	1051	1055	1060	H16	H19	H21	H23	H26	H27							H31									
LANDSCAPE Version 2012	1559_1082	1002	1042	1122	1550	1554	1559								H16	H19	H21	H23	H26	H27								H31	
	1575_1082	1002	1042	1122	1566	1570	1575								H16	H19	H21	H23	H26	H27								H31	
	1580_808	728	768	848	1571	1575	1580								H16	H19	H21	H23	H26	H27								H31	
	1640_992	912	952	1032	1631	1635	1640								H16	H19	H21	H23	H26	H27								H31	
	1650_992	912	952	1032	1641	1645	1650								H16	H19	H21	H23	H26	H27								H31	
	1660_992	912	952	1032	1651	1655	1660								H16	H19	H21	H23	H26	H27								H31	
	1670_992	912	952	1032	1661	1665	1670								H16	H19	H21	H23	H26	H27								H31	
	1675_992_33	912	952	1032	1666	1670	1675				H16				H19	H21		H23	H26	H27							H31		
	1680_992	912	952	1032	1671	1675	1680								H16	H19	H21	H23	H26	H27								H31	
	1686_1016	912	952	1032	1677	1681	1686								H16	H19	H21	H23	H26	H27								H31	
	1700_1016	912	952	1032	1691	1695	1700								H16	H19	H21	H23	H26	H27								H31	
	Version 2020	1665_1020	940	980	1060	1656	1660	1665	H16	H19	H21	H23	H26	H27							H31								
		1675_1020	940	980	1060	1666	1670	1675	H16	H19	H21	H23	H26	H27							H31								
1680_1020		940	980	1060	1671	1675	1680	H16	H19	H21	H23	H26	H27							H31									
1685_1020		940	980	1060	1676	1680	1685	H16	H19	H21	H23	H26	H27							H31									
1690_1020		940	980	1060	1681	1685	1690	H16	H19	H21	H23	H26	H27							H31									
1700_1020		940	980	1060	1691	1695	1700	H16	H19	H21	H23	H26	H27							H31									
1740_1020		940	980	1060	1731	1735	1740	H16	H19	H21	H23	H26	H27							H31									