

RoofSupport PVbox

SE.25-27.6K.T1.3IN.3OUT.M



Conduct Technical Solutions BV
Aalborg 4
2993LP Barendrecht

Details:



RoofSupport PVbox

SE.25-27.6K.CP.T1.3IN.3OUT.M

Cover

Drawn by: S. Vanpraet

Date: 18-2-2019

Page

001

INDEX

| PAGE | DESCRIPTION | DRAWING TYPE | DRAWN BY | DATE |
|------|----------------|--------------------------|-------------|-----------|
| 001 | Cover | Title page / cover sheet | S. Vanpraet | 18-2-2019 |
| 050 | Index | Table of contents | S. Vanpraet | 18-2-2019 |
| 100 | Power supply | Schematic multi-line | S. Vanpraet | 18-2-2019 |
| 600 | Cabinet layout | Model view | S. Vanpraet | 18-2-2019 |
| 601 | Cabinet layout | Model view | S. Vanpraet | 18-2-2019 |
| 700 | Product list | Summarized parts list | S. Vanpraet | 18-2-2019 |



RoofSupport PVbox

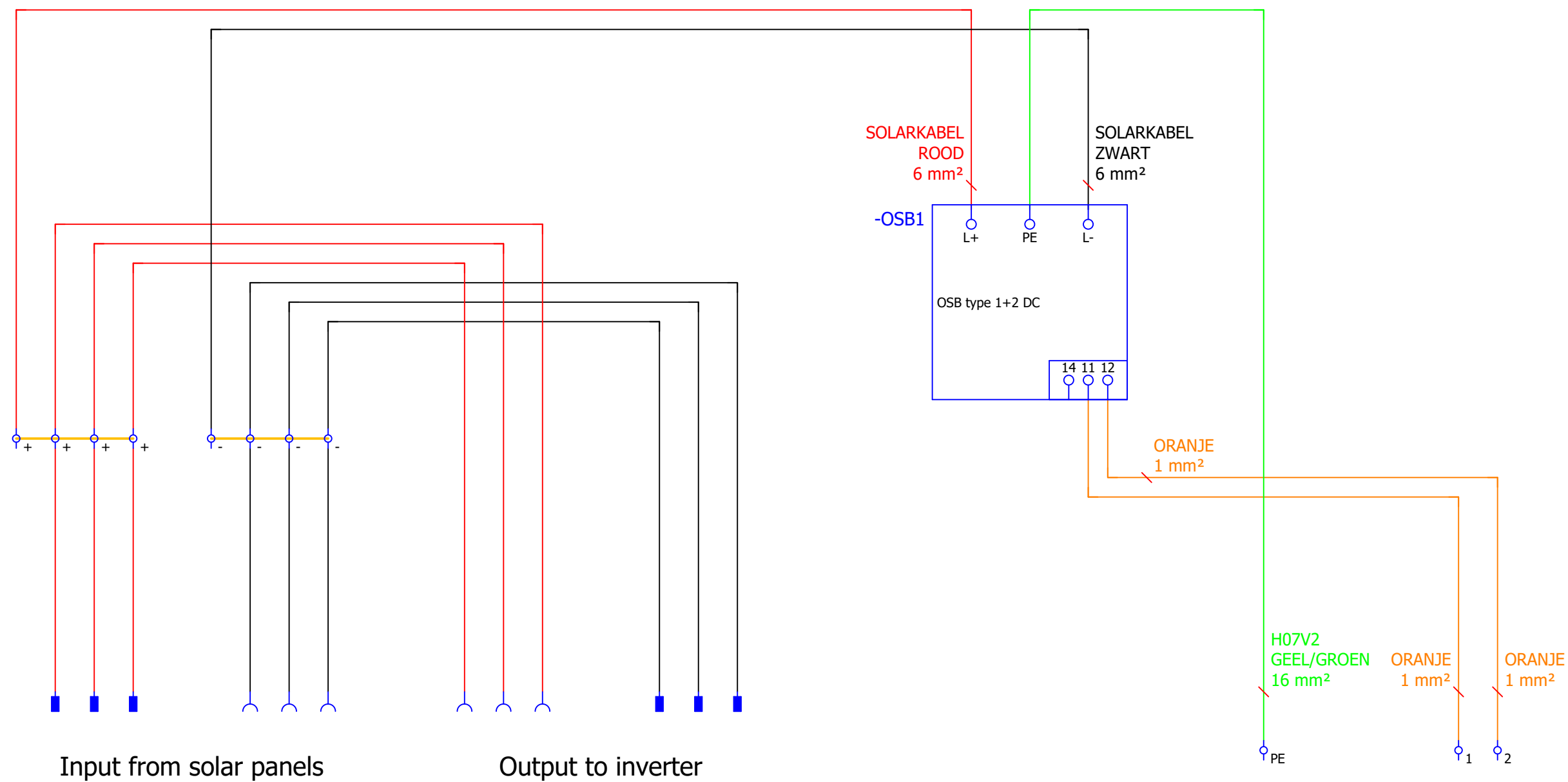
SE.25-27.6K.CP.T1.3IN.3OUT.M

Index

Drawn by: S. Vanpraet
Date: 18-2-2019

Page

050



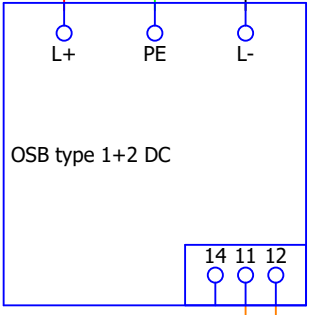
Input from solar panels

Output to inverter

SOLARKABEL
ROOD
6 mm²

SOLARKABEL
ZWART
6 mm²

-OSB1



ORANJE
1 mm²

H07V2
GEEL/GROEN
16 mm²

ORANJE
1 mm²

ORANJE
1 mm²

PE

1

2

PE

fault contact



RoofSupport PVbox

SE.25-27.6K.CP.T1.3IN.3OUT.M

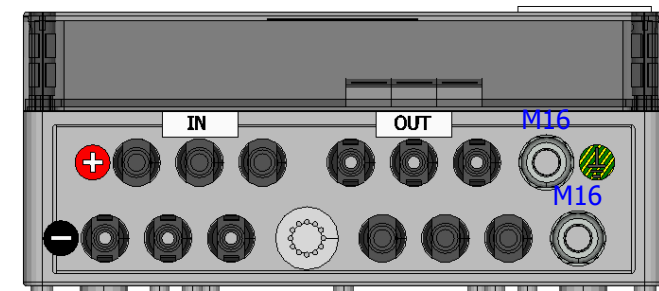
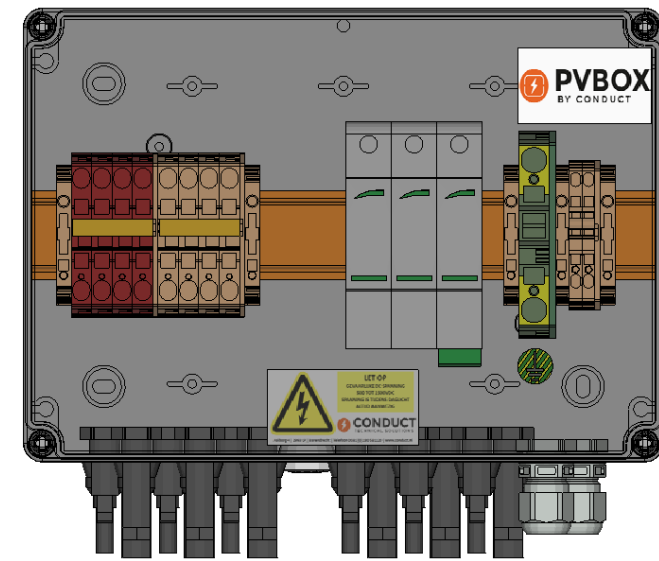
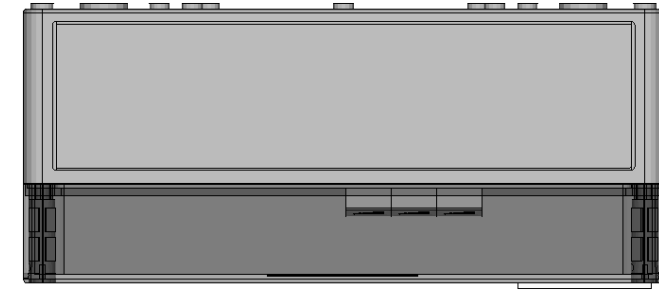
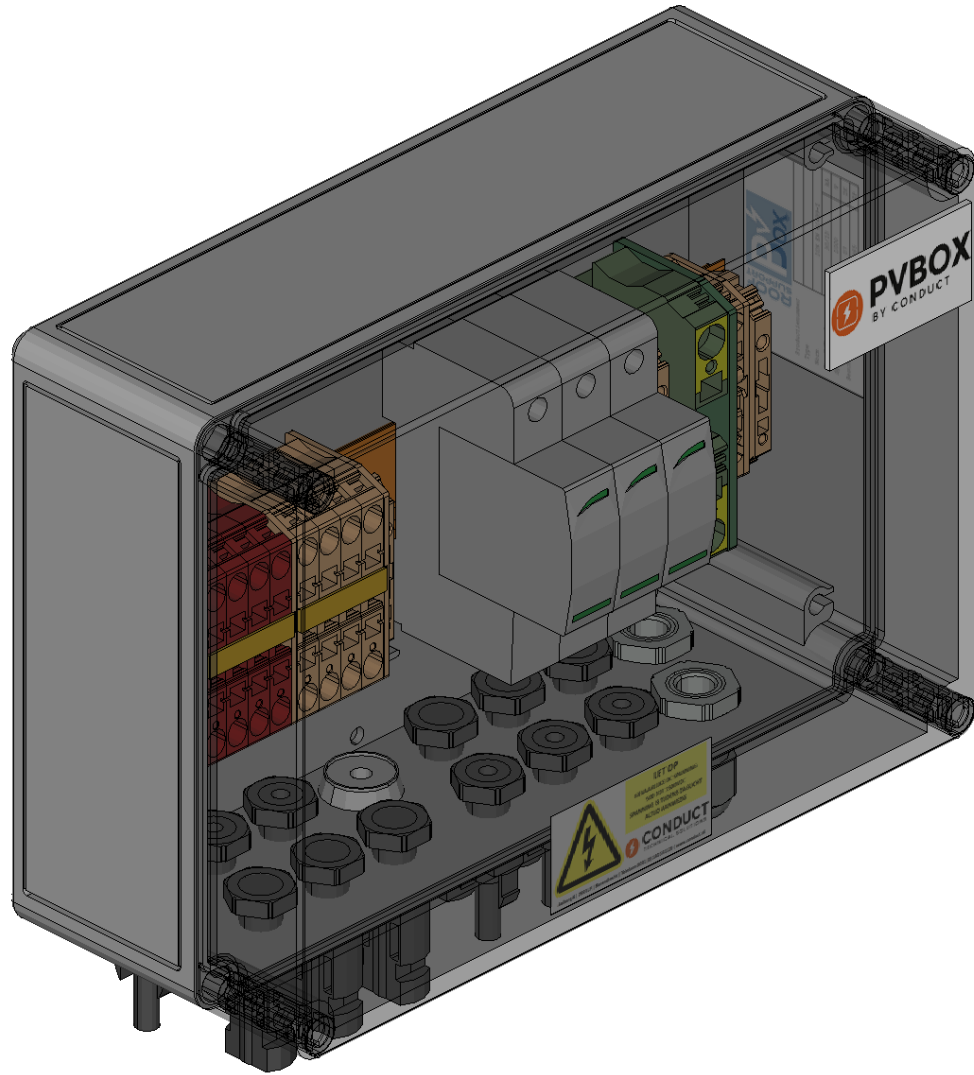
Power supply

Drawn by: S. Vanpraet

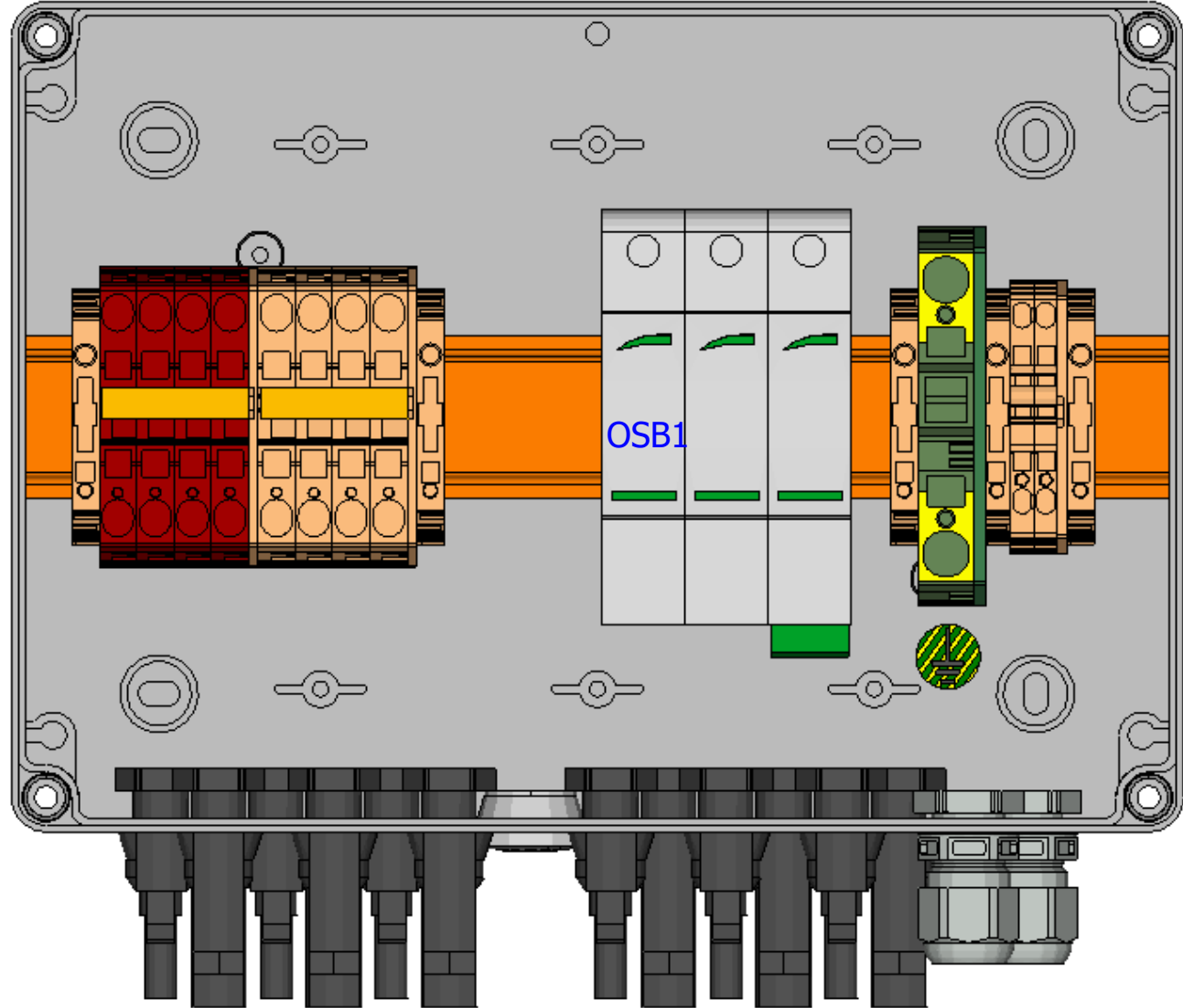
Date: 18-2-2019

Page

100



| 0 | 1 | 2 | 3 | 4 | 5 | 6 | 7 | 8 | 9 |
|-------------|-----------------|-------------------|---|---|-------------|---|--------------|---|---|
| DEVICE CODE | DESCRIPTION | TYPE | | | PART NUMBER | | MANUFACTURER | | |
| OSB1 | OSB Type 1-2 DC | PSC3-5/1000 PV IR | | | 77738378 | | Cirprotec | | |



| | | | | | | | | | |
|--|------------------------------|--|--|--|--|--|-----------------------|--|------------|
| | RoofSupport PVbox | | | | | | Cabinet layout | | Page |
| | SE.25-27.6K.CP.T1.3IN.3OUT.M | | | | | | Drawn by: S. Vanpraet | | 601 |
| | | | | | | | Date: 18-2-2019 | | |

PRODUCT LIST

Part list: SE.25-27.6K.CP.T1.3IN.3OUT.M Rev. 0

| QUANTITY | DEVICE CODE | DESCRIPTION | TYPE | PART NUMBER | MANUFACTURER |
|----------|-------------|---|-------------------|--------------|--------------|
| 0,248 m | | Rail 35x7,5 | TS 35_7,5 | | |
| 1 | OSB1 | OSB Type 1-2 DC | PSC3-5/1000 PV IR | 77738378 | Cirprotec |
| 2 | | Jumper bar 4 connections | ZQI 6/4 YE | 3765.8 | Conta-Clip |
| 5 | | End bracket | ZES 35/2 | 3811.2 | Conta-Clip |
| 4 | | Feed-through terminal block | ZRK6/2A rood | 3581.9 | Conta-Clip |
| 2 | | End plate | ZAP6/2A beige | 3760.2 | Conta-Clip |
| 4 | | Feed-through terminal block | ZRK6/2A Beige | 3581.2 | Conta-Clip |
| 1 | | Feed-through terminal block | ZSL16/2A | 3637.2 | Conta-Clip |
| 1 | | End plate | ZAP16/2A groen | 3799.1 | Conta-Clip |
| 2 | | Feed-through terminal block | ZRK2,5/2A beige | 3500.2 | Conta-Clip |
| 1 | | End plate | ZAP2,5/2A beige | 3700.2 | Conta-Clip |
| 1 | | Sticker Type | Sticker | Sticker | GTV |
| 1 | | Sticker PVbox | Sticker | Sticker | GTV |
| 1 | | Sticker "Let op: gevaarlijke DC spanning" | Sticker | Sticker | GTV |
| 6 | | Female connector solar MC4 | PV-ADSP4-S2/6 | 32.0079P0001 | Multicontact |
| 6 | | Male connector solar MC4 | PV-ADBP4-S2/6 | 32.0078P0001 | Multicontact |
| 1 | | TK PS 2518-11-to | TK PS 2518-11-to | 11150801 | Spelsberg |
| 1 | | 26242001 | BST M20 | 26242001 | Spelsberg |
| 1 | | External fixing lugs | TK ABL | 19400101 | Spelsberg |
| 2 | | Cable gland M16X1,5 | ESKV16 | 10066411 | Wiska |
| 2 | | Gland locknut M16X1,5 | EMUG16 | 10060771 | Wiska |

CNC: CP.1.NF.T1.NSX.3IN.3OUT.M
Pos.: 4 - K



RoofSupport PVbox

SE.25-27.6K.CP.T1.3IN.3OUT.M

Product list

Drawn by: S. Vanpraet

Date: 18-2-2019

Page

700