



SRK63ZR-W / SRC63ZR-W

6.3 (1.2~7.4)

Indoor Unit : SRK63ZR-W

Outdoor Unit : SRC63ZR-W

Specifications

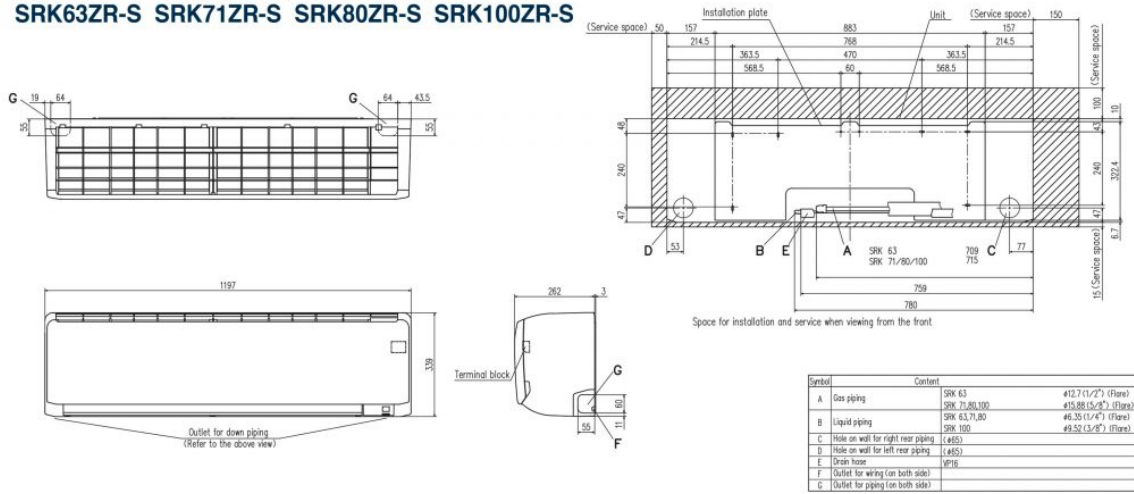
R32

Indoor unit			SRK63ZR-W
Outdoor unit			SRC63ZR-W
Power source			1Phase, 220 - 240, 50Hz
Nominal cooling capacity (Min~Max)		kW	6.3 (1.2~7.4)
Nominal heating capacity (Min~Max)		kW	7.1 (0.8~9.3)
Power consumption	Cooling/Heating	kW	1.63 / 1.64
EER/COP	Cooling/Heating		3.87 / 4.33
Max. running current		A	14.5
Sound power level	Indoor	Cooling/Heating	56 / 58
	Outdoor	Cooling/Heating	64 / 65
Sound pressure level	Indoor	Cooling (Hi/Me/Lo/Ulo)	44 / 39 / 35 / 25
		Heating (Hi/Me/Lo/Ulo)	44 / 38 / 34 / 28
	Outdoor	Cooling/Heating	54 / 54
Air flow	Indoor	Cooling (Hi/Me/Lo/Ulo)	20.5 / 18.1 / 15.7 / 10.4
		Heating (Hi/Me/Lo/Ulo)	22.5 / 19.0 / 16.5 / 13.1
	Outdoor	Cooling/Heating	41.5 / 41.5
Exterior Dimensions	Indoor	Height x Width x Depth	339 x 1197 x 262
	Outdoor		640 x 800(+71) x 290
Net weight	Indoor / Outdoor		kg 15.5 / 45.0
Refrigerant	Type/GWP		R32 / 675
Refrigerant	Charge	kg/TCO2Eq	1.25 / 0.844
Refrigerant piping size	Liquid/Gas	ø inch	6.35(1/4") / 12.7(1/2")
Refrigerant line (one way) length		m	Max. 30
Vertical height differences	Outdoor is higher/lower	m	Max. 20 / Max. 20
Outdoor operating temperature range	Cooling	°C	-15~46
	Heating		-15~24
Clean filter			Allergen Clear Filter x 1, Photocatalytic Washable Deodorizing Filter x 1
Energy Class (Cooling/Heating)			A+ +/A++
SEER			8.10
SCOP (Average climate)			4.70
Pdesign (cooling/heating(@-10°C))		kW	6.30/5.40
Annual Electricity Consumption (cooling/heating)		kWh/a	273/1608
Designated Heating Season			Average

- The data is measured under the following conditions(ISO-T1, H1). Cooling: Indoor temp. of 27°CDB, 19°CWB, and outdoor temp. of 35°CDB. Heating: Indoor temp. of 20°CDB, and outdoor temp. of 7°CDB, 6°CWB.
- Sound level indicates the value in an anechoic chamber. During operation these values are somewhat higher due to ambient conditions.
- 'tonne(s) of CO2 equivalent' means a quantity of greenhouse gases- expressed as the product of the weight of the greenhouse gases in metric tonnes and of their global warming potential.
- SEER/SCOP are based on EN14825:2016 and Commission regulation (EU) No.2016/2281

Schematics

SRK63ZR-W SRK71ZR-W SRK80ZR-W SRK63ZR-S SRK71ZR-S SRK80ZR-S SRK100ZR-S



SRC20ZSX-W,-S SRC25ZSX-W,-S SRC35ZSX-W,-S SRC40ZSX-W,-S SRC50ZSX-W,-S SRC60ZSX-W,-S SRC63ZR-W,-S

