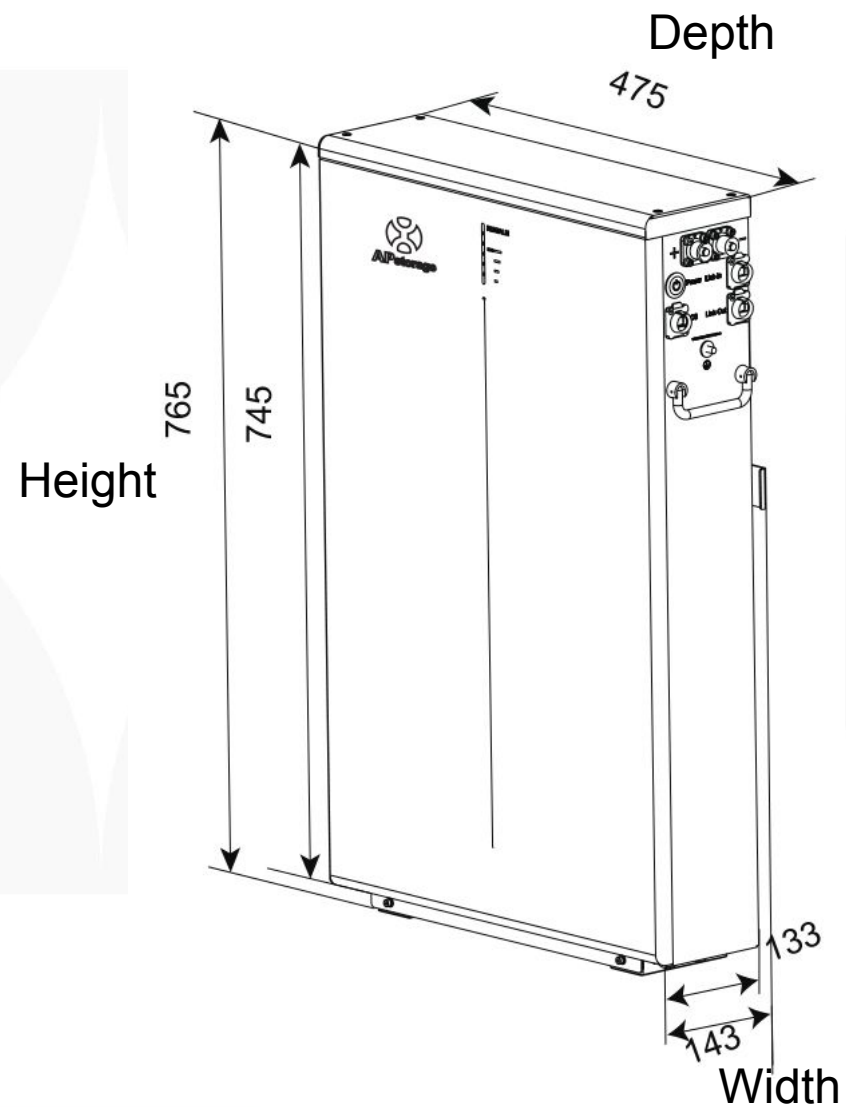


APbattery 51.2V/6.5kWh

Outline Dimensions

Name	Data	Unit
Width	143	mm
Depth	475	mm
Height	765	mm
Weight	56±1	kg



Use

Battery capacity & warning indicator light



Push button switch:
1、Open: Hold the
POWER button for two
seconds.
2、Off: Hold the POWER
button for two seconds.

NOTE: 1、RUN and SOC indicators turn on and indicate correct state. The battery is powered on successfully.
2、If ALM indicator lights up in red, a failure occurs. Troubleshoot the issue and power on the Battery again.
3、Whether parallel or single battery. The battery stops output 10 minutes after no communication, and automatically shuts down 25 minutes after no communication.

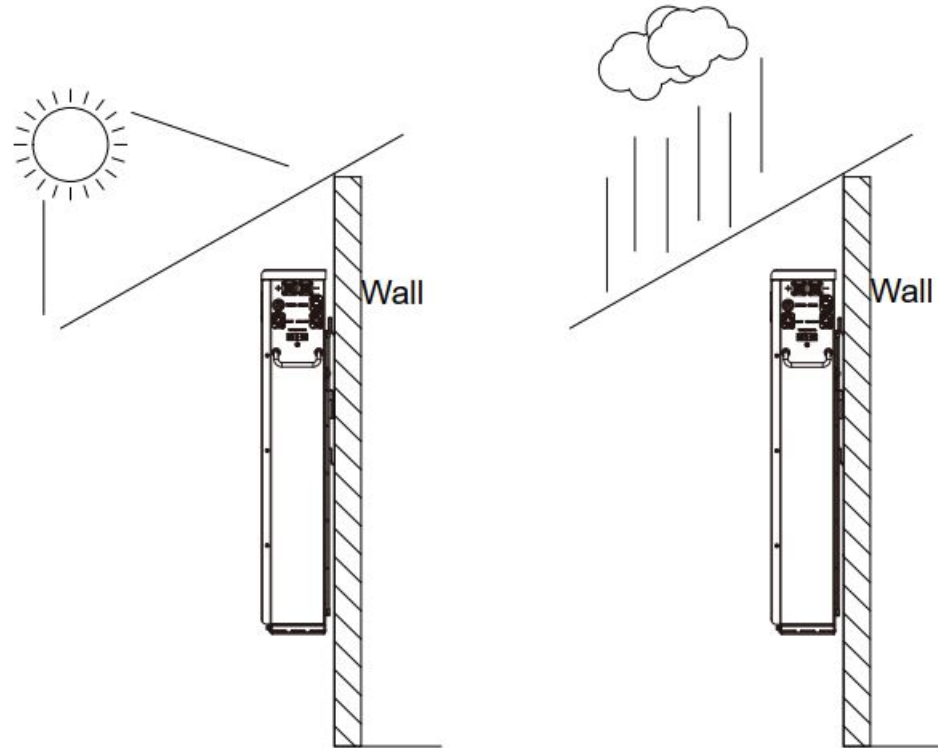
Important parameter

Name	Data	Name	Data
Total Energy Capacity	6.5kWh	Battery Capacity (Nominal)	128Ah
Rated/Usable Energy	6.0kWh	Rated/Usable Capacity	118Ah
Nominal Voltage	51.2V	Operating Voltage	48V~57.6V
Operating Temperature	-10~50 °C	DOD	94.5%
Max. Charging Current (Cell surface temperature)	-10°C≤T<0°C: 21.3A 0°C≤T<5°C: 32A 5°C≤T<15°C: 64A 15°C≤T<45°C: 104.2A 45°C≤T<50°C: 64A 50°C≤T<55°C: 32A	Max. Discharging current (Cell surface temperature)	-10°C≤T<0°C: 21.3A 0°C≤T<45°C: 104.2A 45°C≤T<50°C: 85.3A 50°C≤T<55°C: 32A
EOL(End of life)	10 years, or 60% SOH, or single cell voltage falls below 2.0V, from the manufacture date whichever comes first	Storage conditions	-30°C~-20°C & 45°C~60°C, within 7 days; -20°C ~ 45°C, within 6 months; Humidity: 5%-95%RH Within 6 month after each charge
Ingress Rating	IP55	Module parallel	1~8 Parallel
Cell safety certification	IEC62619/UL1973	PACK safety certification	IEC62619/CE/UL1973
UN transportation test standard	UN38.3+PI965(Sea)	Environmental protection certification	RoHS, REACH

Packing list

Standard		
Item		Quantity
APbattery 51.2V/6.5kWh		1pcs
Wall-mounted bracket		1pcs
Fastening kit	M8 expansion bolt	9pcs
	M8*H60 anchor	9pcs
	M6 screw for grounding	1pcs
	Bubble level	1pcs
User Manual		1pcs
Warranty Card		1pcs
Accessory List		1pcs
Terminator		1pcs
Grounding wire		1pcs
Positive power wire		1pcs (with a connector at one end, length: 1.5m)
Negative power wire		1pcs (with a connector at one end, length: 1.5m)
Communication wire		1pcs (length:1.5m)

Installation Location



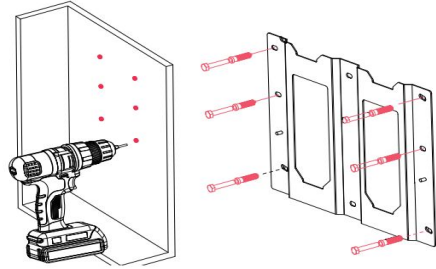
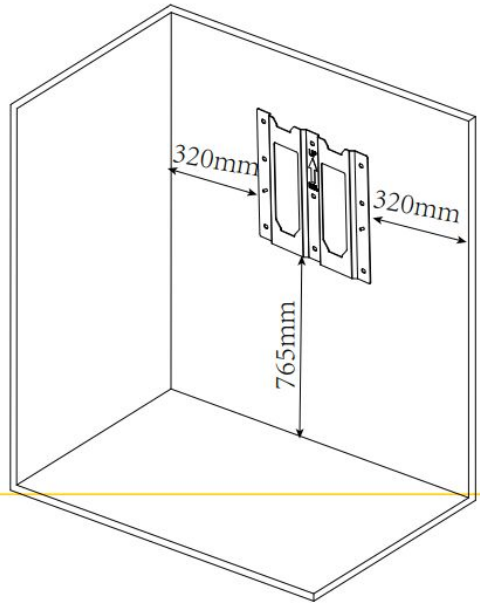
Note : 1、 Keep the dirt or dust at a minimal level.

2、 Do not install battery in a place where flood frequently occurs.

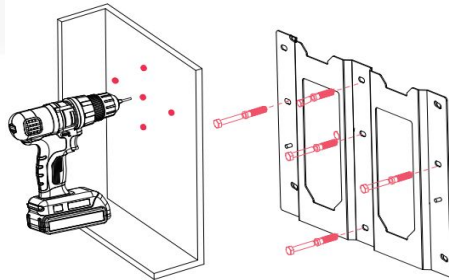
3、 Do not install battery in highly humid area such as bathroom.

4、 Ensure direct contact between battery shell and ambient air. Do not cover or shield battery to avoid poor cooling.

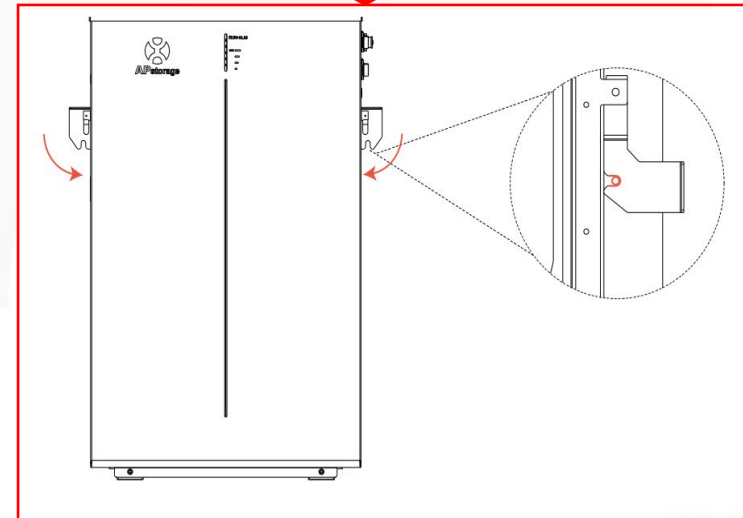
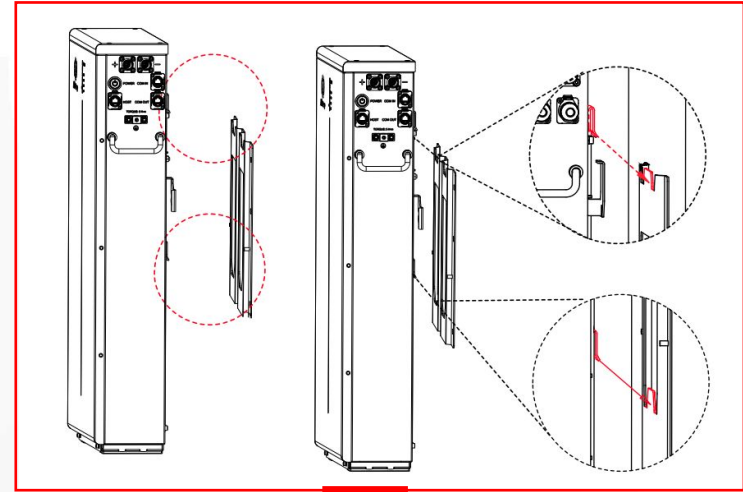
Wall Mounted Installation



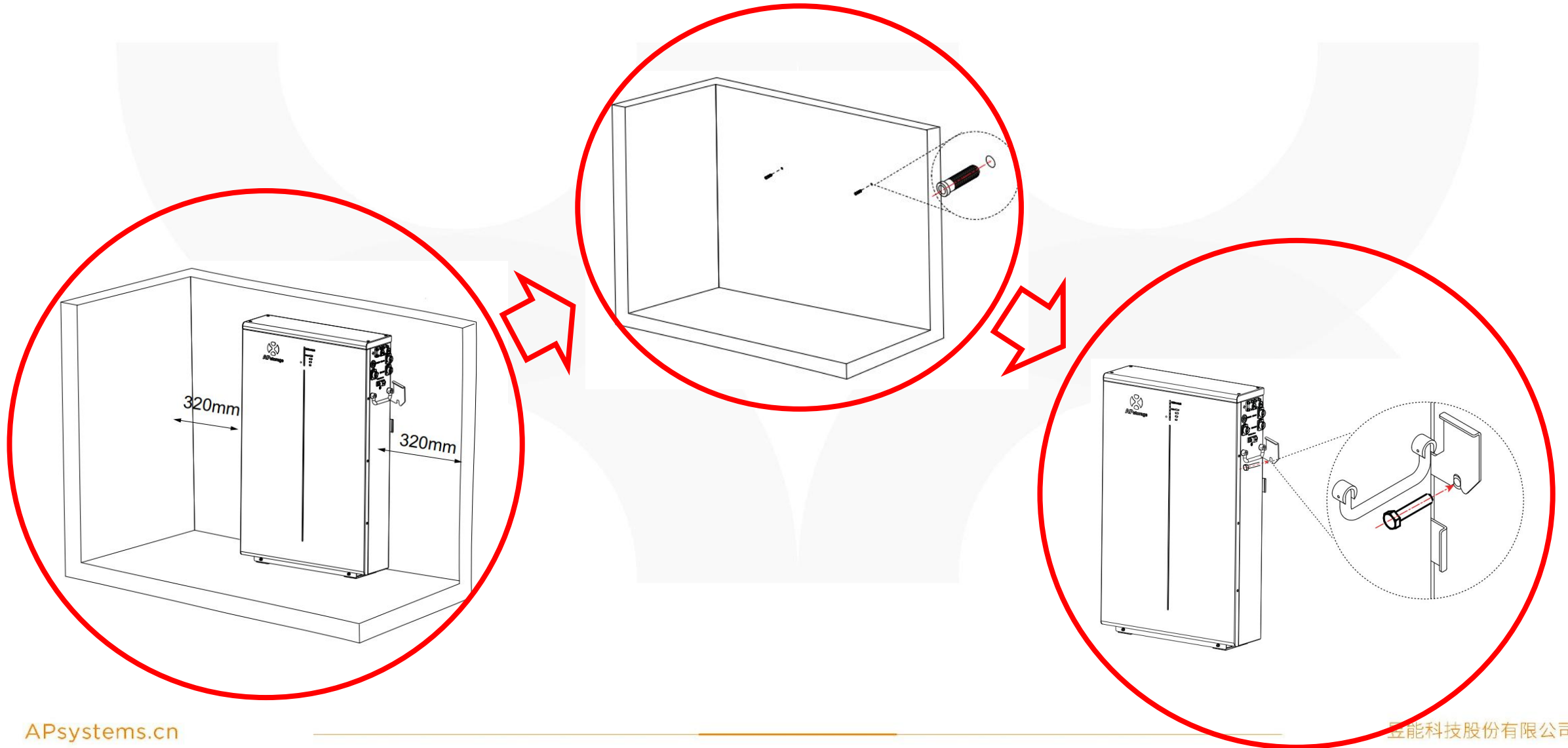
For a wall with its main supporting beams at a distance of 16 inches



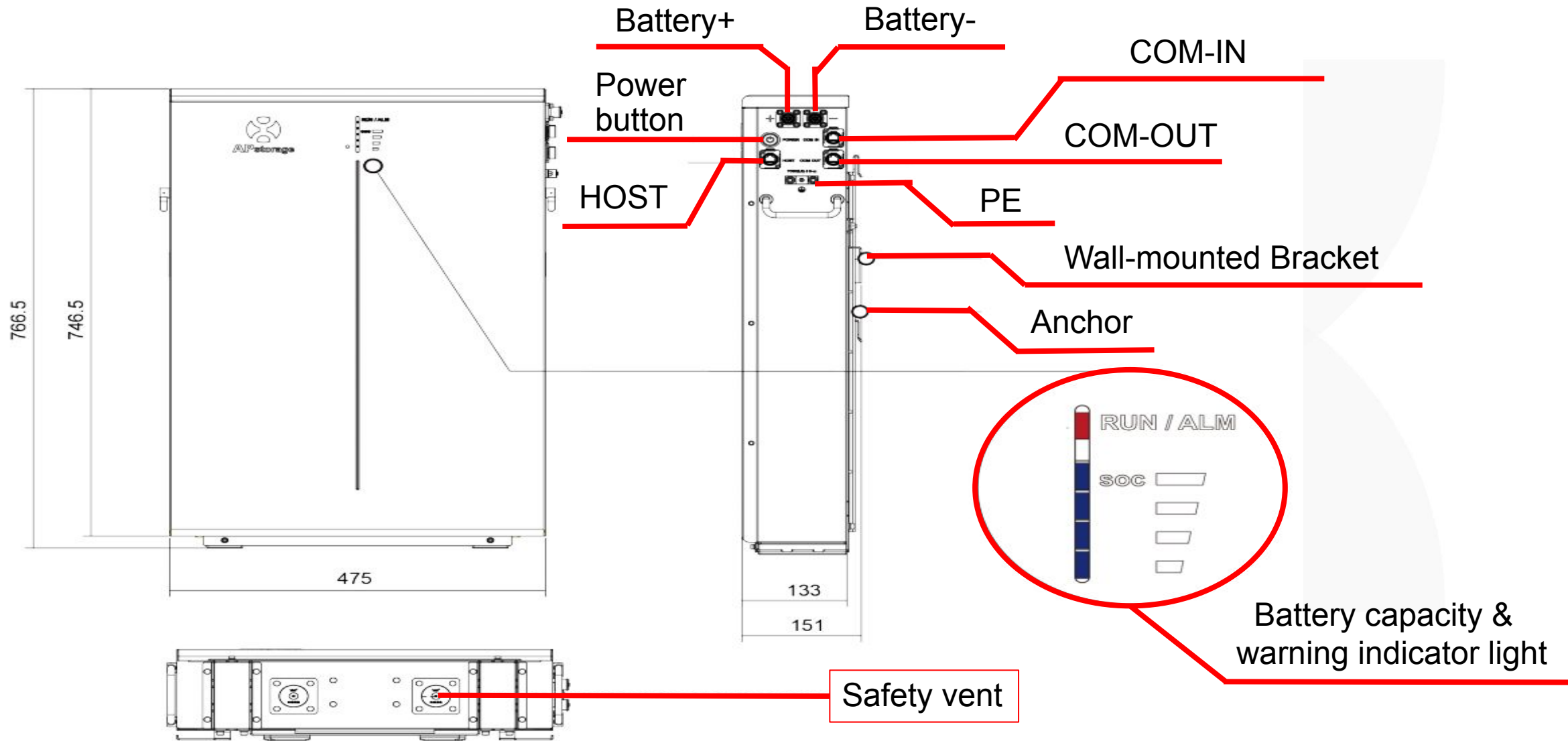
For a wall with its main supporting beam at a distance of 24 inches



Floor Standing Installation



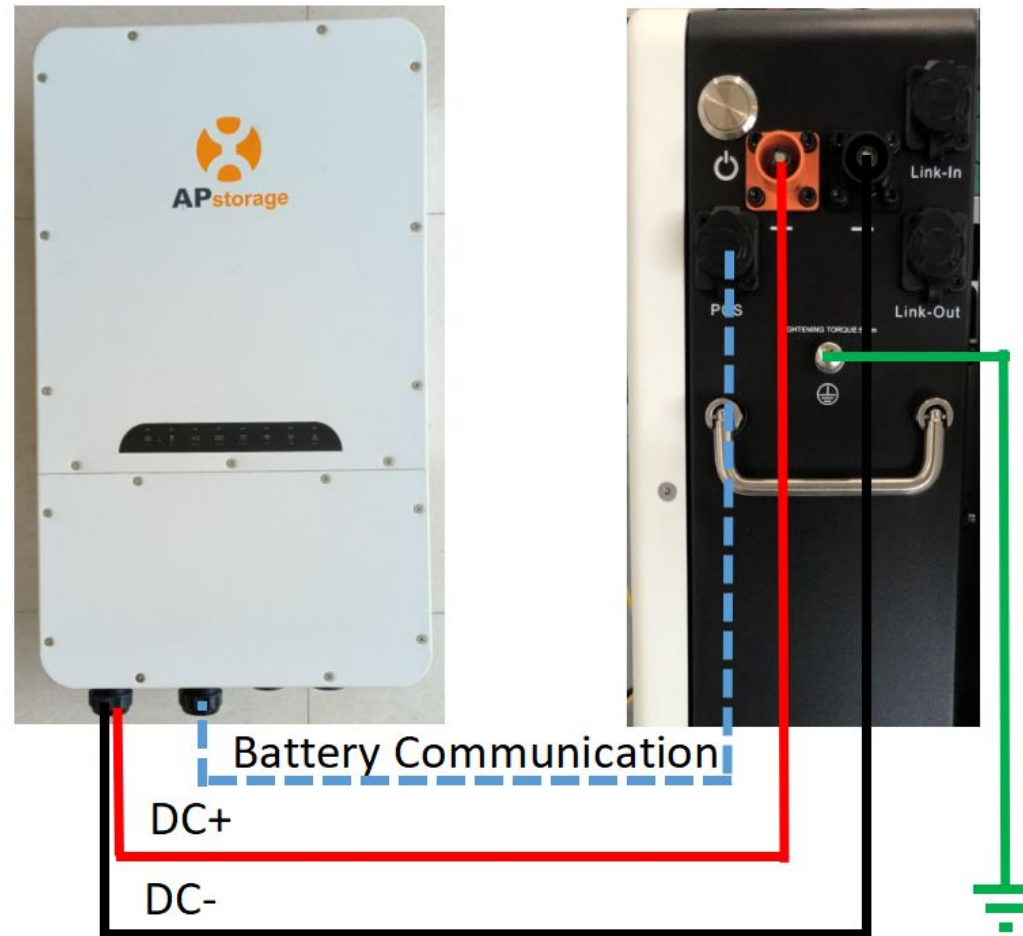
Connection port



PCS & Battery

Single battery:

APbattery 51.2V/6.5kWh is only connected to a single battery, with a maximum charging and discharging power of 5kw.

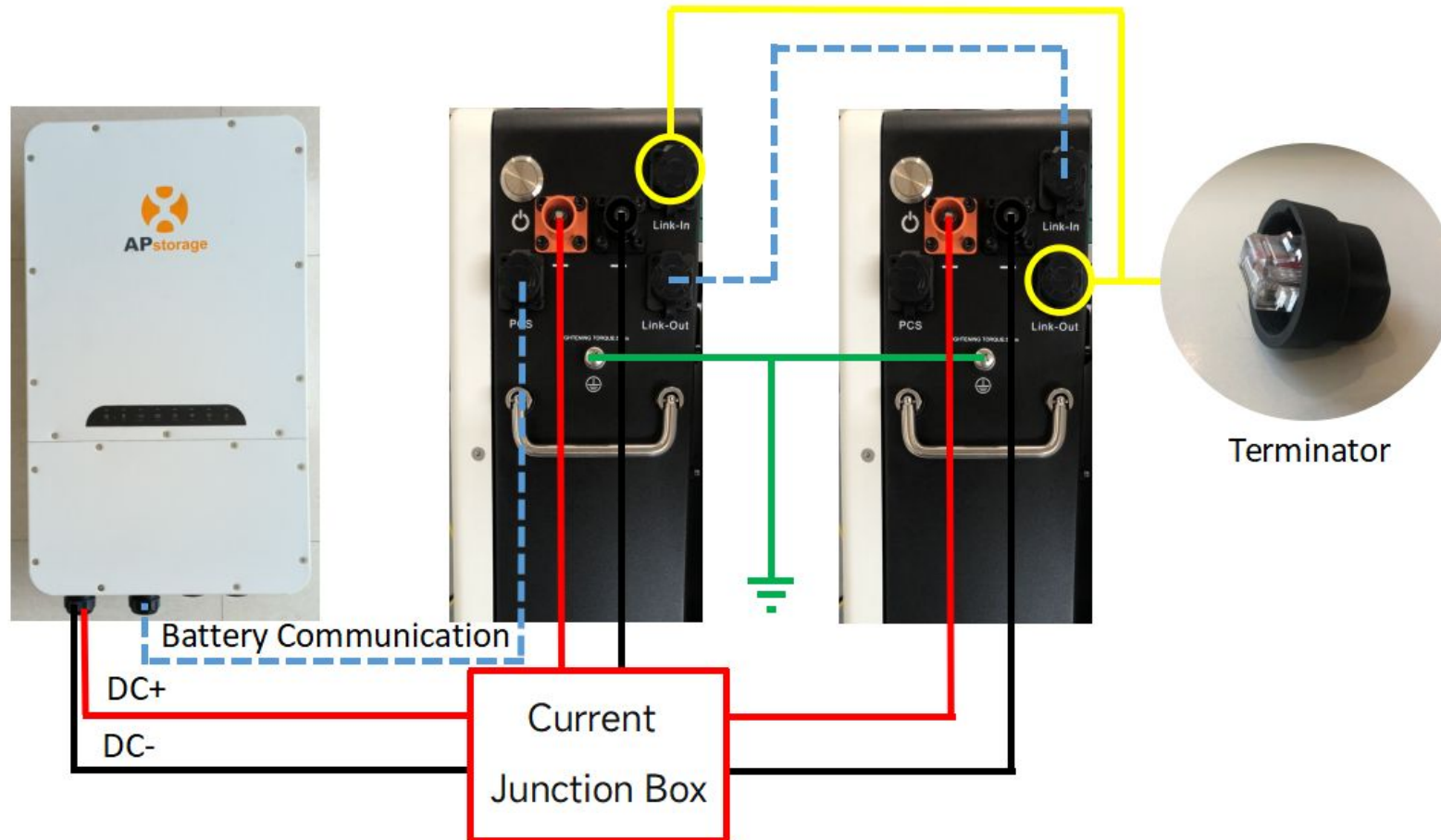


PCS & Battery

The battery units are connected in parallel:





In this way, you must insert the two terminals into the COM IN and COM OUT of the battery.

Customers must purchase the DC bus box and the accessories in the bus box, as well as the DC line from the DC bus box to PCS, DC cable crimping terminal







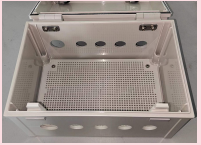
PCS & Battery

Wiring specification :

Type	Name	Icon	Specification
Standard	Positive power wire (DC+)		with a connector at one end, length: 1.5m
Standard	Negative power wire (DC-)		with a connector at one end, length: 1.5m
Optional	DC cable crimping terminal	/	TL25-8, Applicable to 4AWG/25mm ² cables
Standard	Grounding wire		/
Standard	Communication cable		length:1.5m
Standard	Terminator	/	/

PCS & Battery

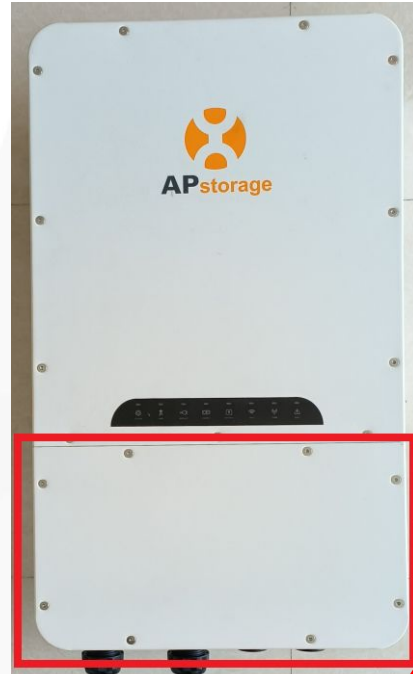
The customer must purchase the list:

Type	Name	Picture	Specification
Customers own	DC cable crimping terminal		TL25-8, Applicable to 4AWG/25mm ² cables
Customers own	PCS end cable jacket		M32×1.5
Customers own	Battery end cable jacket		M25×1.5
Customers own	busbar		M8 300A double row 5-stud bus
Customers own	bus-box		200×300×180 (mm)

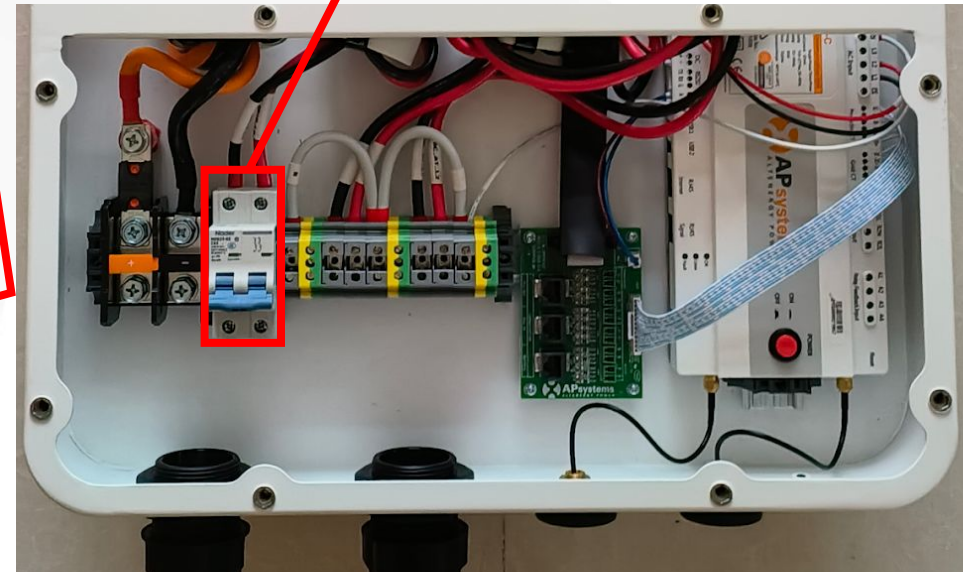
APstorage-Power ON



1、 Turn on the Battery:
Hold the POWER button
for two seconds.



2、 Turn on the grid breaker.



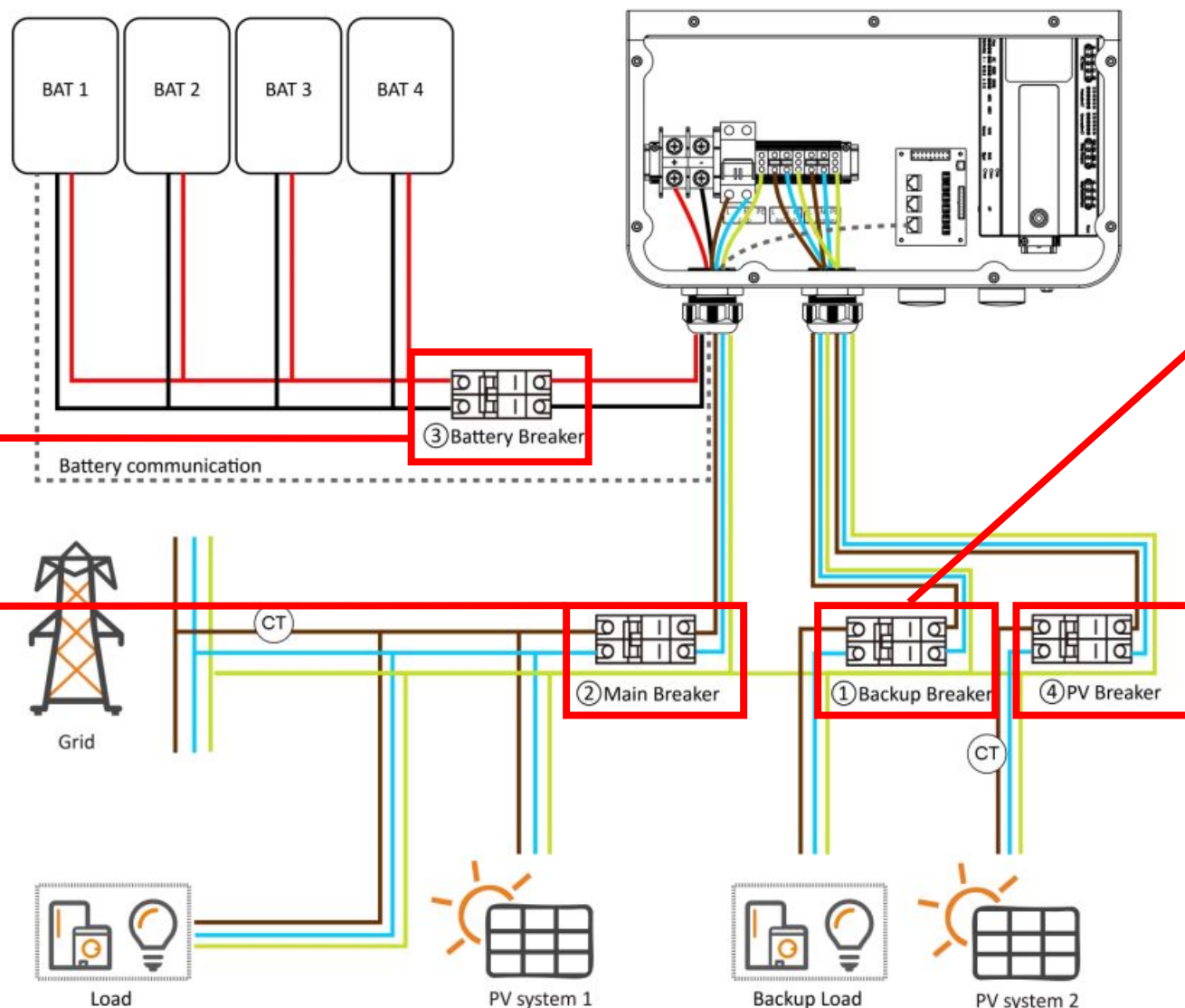
APstorage-Power ON

3、Turn on the Battery Breaker

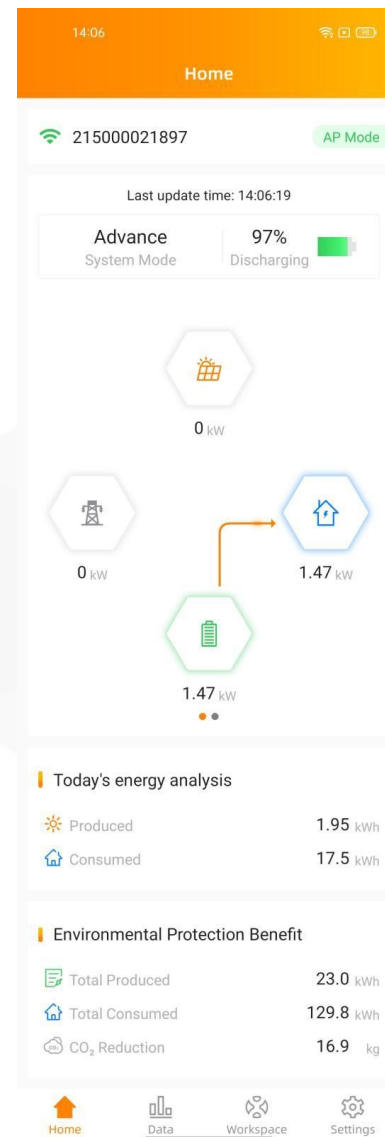
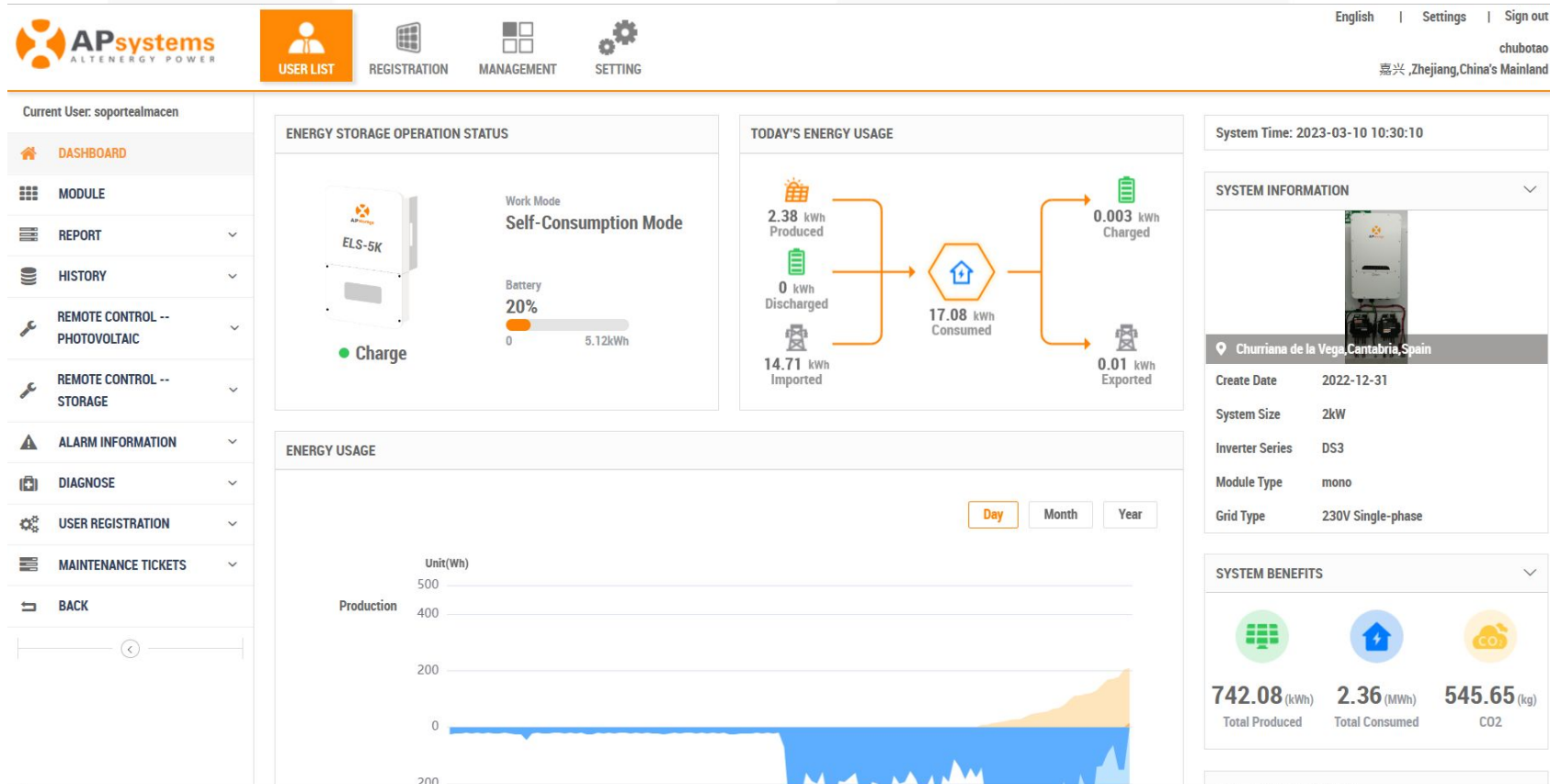
4、Turn on the Main Breaker

5、Turn on the Backup Breaker

6、Turn on the PV Breaker

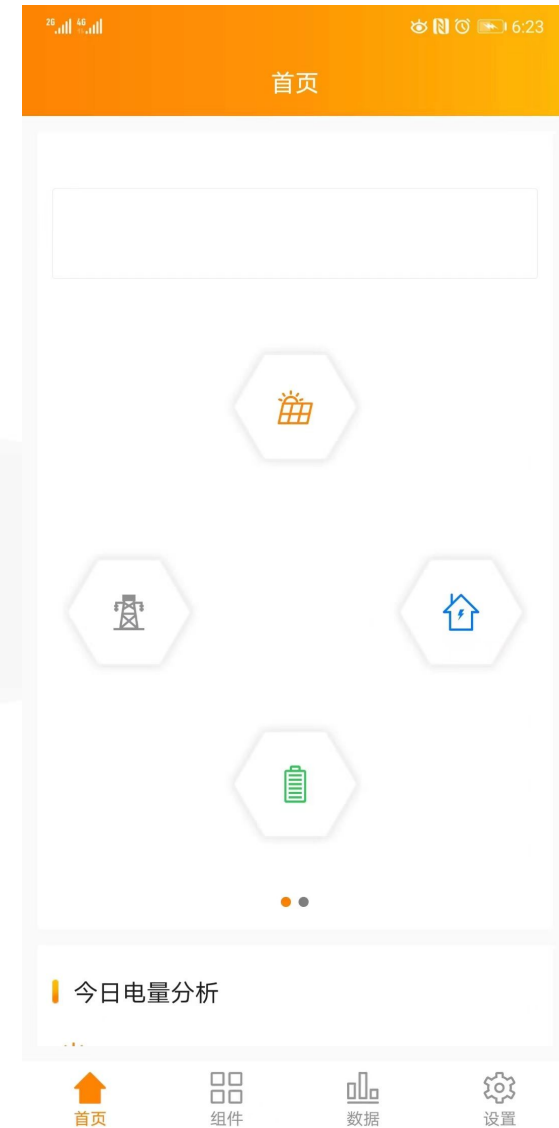
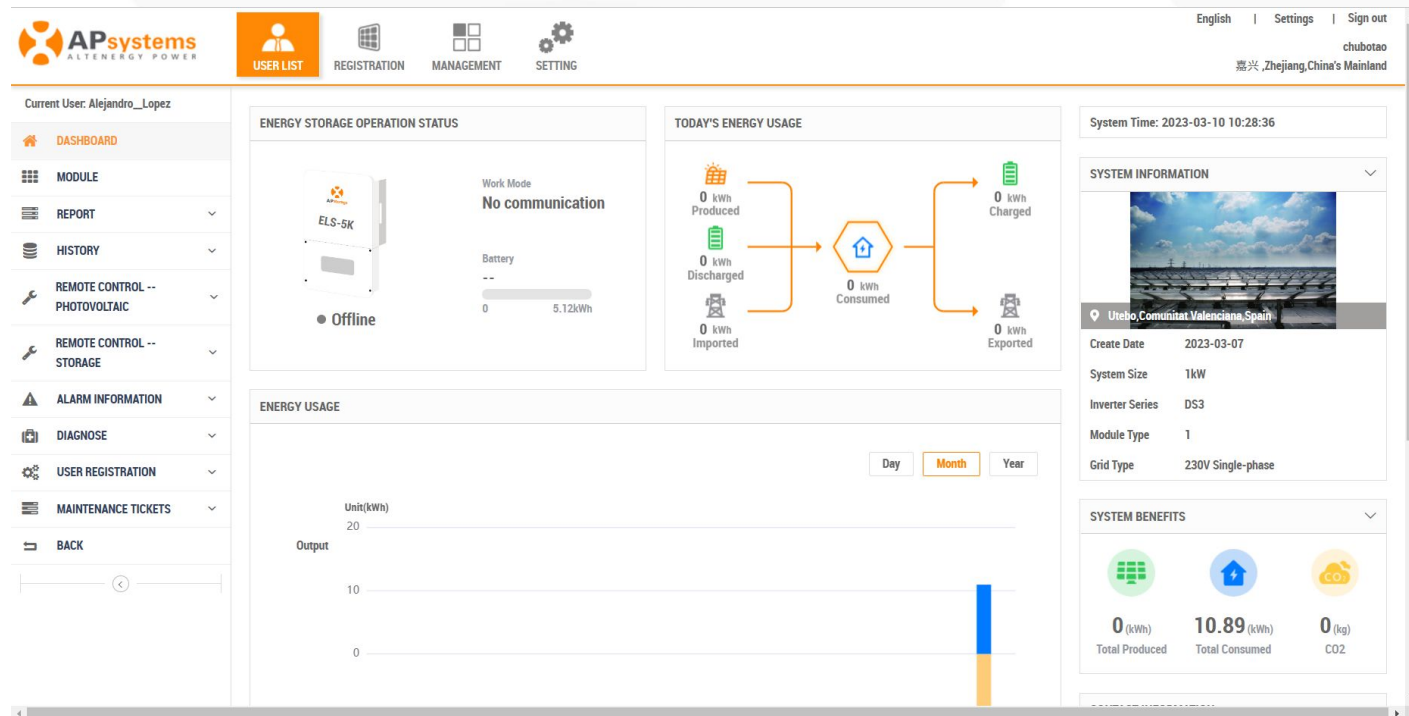


APstorage- Use



APstorage- Power Of

Turn off the Battery Breaker, Grid Breaker, Backup Breaker and Main breaker to power the system, then turn off the batteries.



— end —
d

THANK YOU