



SRK35ZS-WF / SRC35ZS-W2

3.5(0.9~4.0)

Indoor Unit : SRK35ZS-WF

Outdoor Unit : SRC35ZS-W2

Specifications

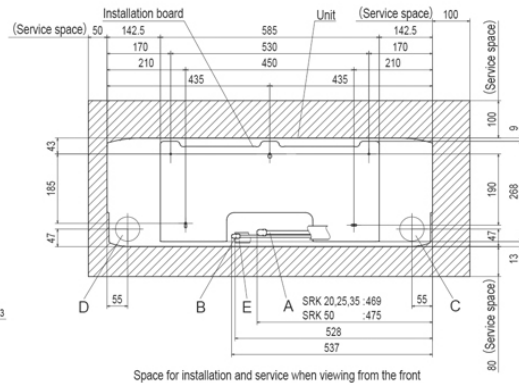
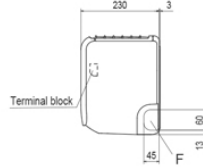
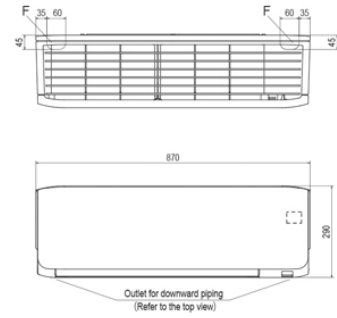


Indoor unit			SRK35ZS-WF
Outdoor unit			SRC35ZS-W2
Power source			1Phase, 220 - 240, 50Hz
Nominal cooling capacity (Min~Max)		kW	3.5(0.9~4.0)
Nominal heating capacity (Min~Max)		kW	4.0(0.9~5.0)
Power consumption	Cooling/Heating	kW	0.89 / 0.94
EER/COP	Cooling/Heating		3.93 / 4.26
Max. running current		A	9
Sound power level	Indoor	Cooling/Heating	54 / 56
	Outdoor	Cooling/Heating	61 / 61
Sound pressure level	Indoor	Cooling (Hi/Me/Lo/Ulo)	40 / 30 / 26 / 19
		Heating (Hi/Me/Lo/Ulo)	41 / 36 / 25 / 19
	Outdoor	Cooling/Heating	50 / 48
Air flow	Indoor	Cooling (Hi/Me/Lo/Ulo)	11.3 / 8.7 / 7.0 / 5.0
		Heating (Hi/Me/Lo/Ulo)	12.3 / 11.0 / 7.0 / 5.6
	Outdoor	Cooling/Heating	31.5 / 27.8
Exterior Dimensions	Indoor	Height x Width x Depth	mm
	Outdoor		
Net weight	Indoor / Outdoor		kg
Refrigerant	Type/GWP	R32 / 675	
Refrigerant	Charge	kg/TCO2Eq	0.78 / 0.527
Refrigerant piping size	Liquid/Gas	ø inch	6.35(1/4") / 9.52(3/8")
Refrigerant line (one way) length		m	Max. 20
Vertical height differences	Outdoor is higher/lower	m	Max. 10 / Max. 10
Outdoor operating temperature range	Cooling	°C	-15~46
	Heating		-15~24
Clean filter			Allergen Clear Filter x 1, Photocatalytic Washable Deodorizing Filter x 1
Energy Class (Cooling/Heating)			A+ +/A++
SEER			8.40
SCOP (Average climate)			4.70
Pdesign (cooling/heating(@-10°C))		kW	3.50/3.00
Annual Electricity Consumption (cooling/heating)		kWh/a	146/895
Designated Heating Season			Average

- The data is measured under the following conditions(ISO-T1, H1). Cooling: Indoor temp. of 27°CDB, 19°CWB, and outdoor temp. of 35°CDB. Heating: Indoor temp. of 20°CDB, and outdoor temp. of 7°CDB, 6°CWB.
- Sound level indicates the value in an anechoic chamber. During operation these values are somewhat higher due to ambient conditions.
- 'tonne(s) of CO2 equivalent' means a quantity of greenhouse gases- expressed as the product of the weight of the greenhouse gases in metric tonnes and of their global warming potential.
- SEER/SCOP are based on EN14825:2016 and Commission regulation (EU) No.2016/2281

Schematics

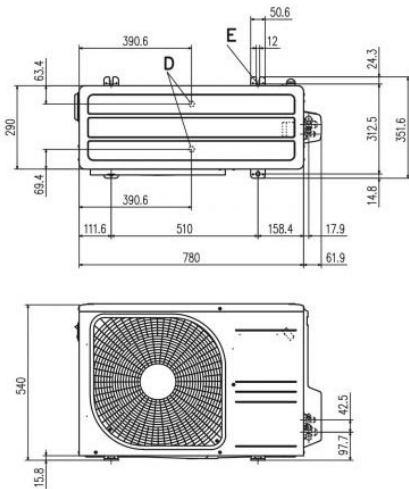
SRK20ZS-WF, -WFB, -WFT, -W
 SRK25ZS-WF, -WFB, -WFT, -W
 SRK35ZS-WF, -WFB, -WFT, -W
 SRK50ZS-WF, -WFB, -WFT, -W
 SRK20ZS-S, -SB, -ST SRK25ZS-S, -SB, -ST
 SRK35ZS-S, -SB, -ST SRK50ZS-S, -SB, -ST



Symbol	Content
A	Gas piping SRK20, 25, 35 ϕ 9.52 (3/8") (Flare) SRK50 ϕ 12.7 (1/2") (Flare)
B	Liquid piping SRK20, 25, 35 ϕ 6.35 (1/4") (Flare)
C	Hole on wall for right rear piping (ϕ 65)
D	Hole on wall for left rear piping (ϕ 65)
E	Drain hose VP-16
F	Outlet for piping (on both side)

Outdoor units

SRC20ZS-W, 25ZS-W, 35ZS-W
 SRC25ZS-W1, 35ZS-W1
 SRC25ZS-W2, 35ZS-W2



Symbol	Content
A	Service valve connection (gas side) ϕ 9.52 (3/8") (Flare)
B	Service valve connection (liquid side) ϕ 6.35 (1/4") (Flare)
C	Pipe/cable draw-out hole
D	Drain discharge hole ϕ 20x2places
E	Anchor bolt hole M10x4places

Dimensions	Minimum installation space			
	Examples of installation			
L1	Open	280	280	180
L2	100	75	Open	Open
L3	100	80	80	80
L4	250	Open	250	Open

