

LED BUILT-IN SPOT LECCO



Art. no. 50258355 | 50258755 | 50258756



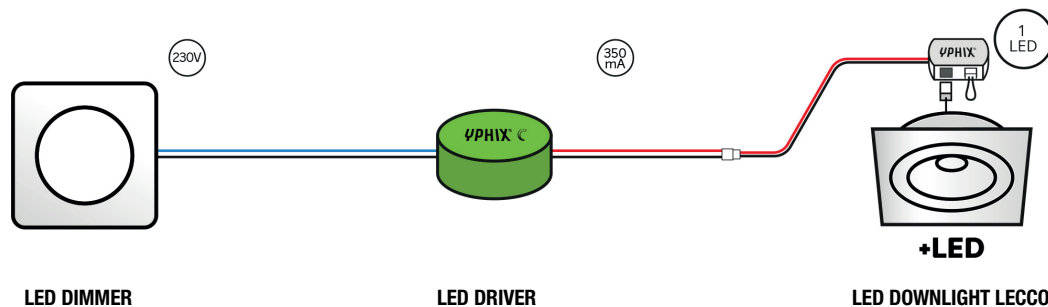
DIMMABLE WITH WALL DIMMER

Every LED built-in spot will be delivered including a connector box (2m wires included). Please note that a separate driver is needed to install the built-in spot Lecco.

Choose the LED dimmer trailing edge together with a dimmable 350mA LED driver (multiple drivers can be connected with one dimmer). We offer 2 different drivers.

PRODUCT COMBINATION

- LED dimmer 5-350W flush-mounted 230V phase cut-off Art. no. 50348501
- LED Driver 350mA Max. 5W 8-14V dimmable Art. no. 50349103
- LED built-in spot Lecco square 5W 2700K IP65 dimmable Art. no. 50258355 | 50258755 | 50258756



PRODUCT COMBINATION

- LED dimmer 5-350W flush-mounted 230V phase cut-off Art. no. 50348501
- LED Driver 350mA Max. 18W 15-52V dimmable Art. no. 50349135
- LED built-in spot Lecco square 5W 2700K IP65 dimmable Art. no. 50258355 | 50258755 | 50258756

