

# CHiNT

SMG666-1PF1-L1  
Smart Gateway  
Quick Operation Guide

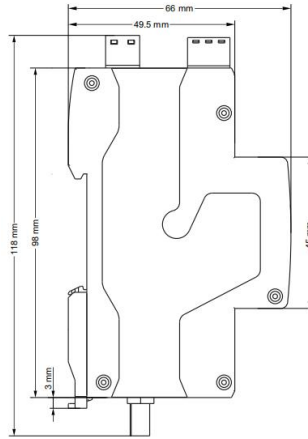
Issue: 01  
Date: 2025-01

# 1 Product Description

## 1.1 Outline and mounting dimensions



Front View



Side View



NOTE

The unnoted tolerance is  $\pm 1\text{mm}$ ;  
The appearance, size and information  
are subject to actual objects.

## 1.2 Product performance specification

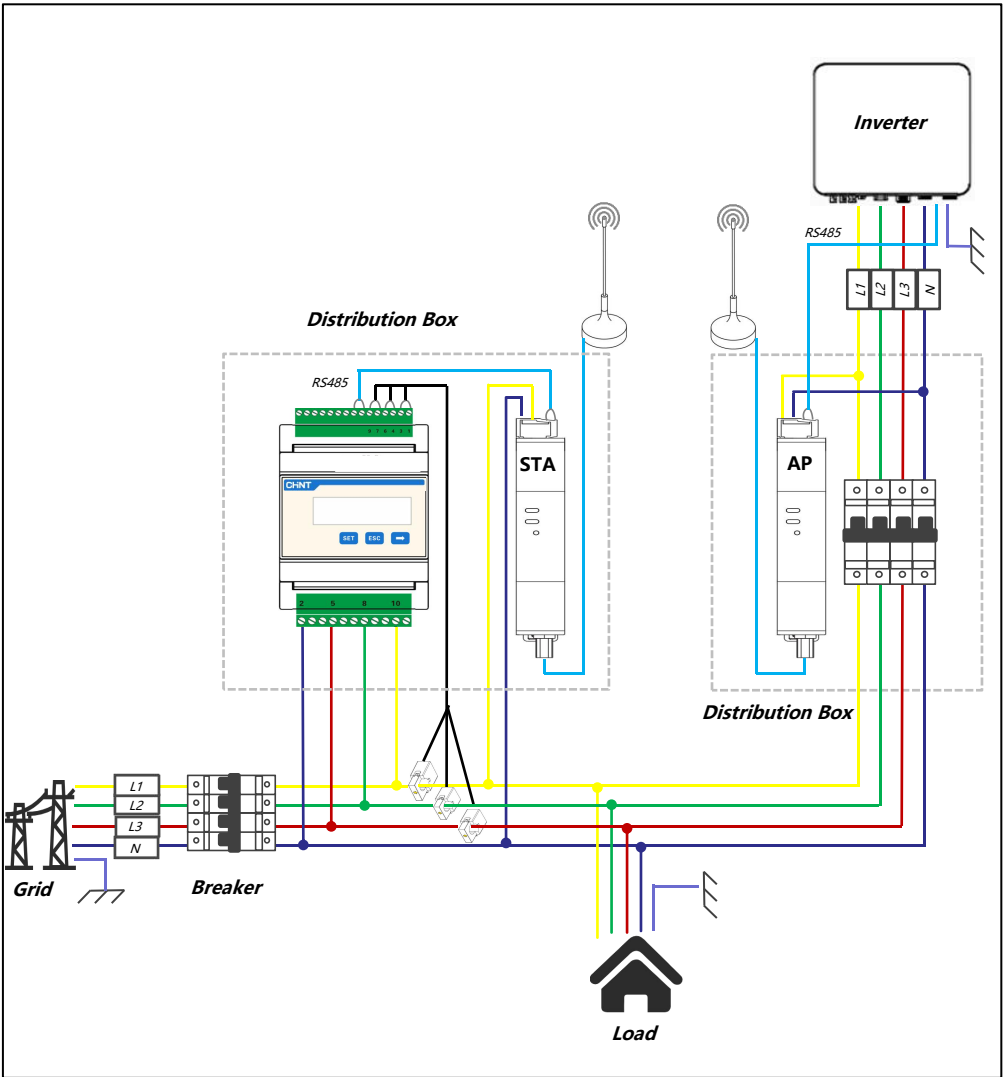
| Project name                   | Technical indicators                   |
|--------------------------------|--|
| Working mode                   | AP(master device) / STA (slave device) |
| Communication method           | RS485 / wireless communication         |
| Network Protocol               | IEEE 802.11ah                          |
| Operating voltage              | 85 Vac-277 Vac                         |
| Maximum power                  | 2W                                     |
| Operating temperature          | -25°C~+55°C                            |
| Wireless frequency             | 868MHz                                 |
| Wireless transmission distance | $\leq 200\text{m}$                     |
| Way to install                 | DIN35mm Rail mounting                  |



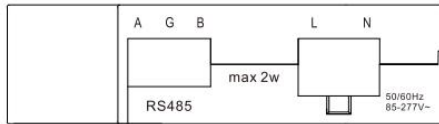
NOTE

The actual distance of wireless transmission is affected by the external environment. The longer the distance, the higher the risk of packet loss, the longer the transmission time, and the number of bytes of a single transmission is controlled within 200 bytes.

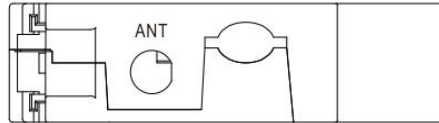
## 2 Typical wiring diagram



### 3 Installation and use instructions



Serial port and auxiliary terminal wiring diagram



Antenna interface diagram

- Step 1: AP connected to the inverter (active sending command equipment), STA connected to the electricity meter (required to obtain data equipment);
- Step 2: Power on the device after the connection is completed;
- Step 3: Check whether the AP and STA indicator light is normal, abnormal cases, check 6 common fault diagnosis, analysis, elimination methods for processing;
- Step 4: If you need to add STA connection under the AP device, press the RST key for 3S, the COMM indicator blinks red, indicating that the device works in pairing mode. Press the same button for the device to be paired within 1 minute. After pressing the button, the red light blinks first, and then the green light turns on.

#### CAUTION

The gateway connection antenna needs to be installed outside the cabinet or the machine applicable to this product to ensure stable signal transmission.

## 4 LED indicator function

| LED Light Type                | LED status         | Status Description   |
|-------------------------------|--------------------|--|
| RUN Light<br>(RUN)            | Steady green       | RS485 communication is normal  |
|                               | Blinking green     | The RS485 communication is abnormal or the RS485 communication is not normal           |
|                               | The green is off.  | The device is not powered on   |
| Communication Light<br>(COMM) | Steady green light | The AP and STA are successfully connected  |
|                               | Green flashing     | Wireless data transfer between the AP and STA (AP/STA flashing: AP/STA transfers data) |
|                               | Red light flashing | The AP and STA make a paired connection  |
|                               | Steady red         | The AP and STA failed to connect   |

## 5 Diagnosis, analysis and troubleshooting of common faults

| Symptom of failure                                       | Cause analysis                      | Elimination Method  |
|--|-------------------------------------|---|
| The lights do not come on after the device is powered on | The supply voltage is abnormal.     | <ol style="list-style-type: none"> <li>1. Check that the power cable is connected correctly</li> <li>2. Check that the power supply voltage is in the range of 85-277V~</li> </ol>  |
| RUN indicator The green light blinks at short intervals  | 485 Communication is abnormal.      | <ol style="list-style-type: none"> <li>1. Check that the 485 connection is correct</li> <li>2. The AP end confirms whether the inverter sends the command, the STA end confirms whether the meter can communicate normally online, and the AP and STA data transmission is normal</li> </ol>  |
| The COMM light is steady red                             | The AP failed to connect to the STA | <ol style="list-style-type: none"> <li>1. Verify that both the AP and STA are online</li> <li>2. Confirm whether the distance between AP and STA exceeds the limit distance of 200m</li> <li>3. Confirm whether AP and STA are factory self-pairing devices (whether the SN number is consistent), and repairing operation is performed on site for non-self-pairing devices</li> </ol> |
| Abnormal data  | Abnormal data parsing               | <ol style="list-style-type: none"> <li>1. Verify that the sent command is the desired command</li> <li>2. Verify that the baud rate and verification method of the gateway and connected device are consistent</li> </ol>   |

## 6 Environmental

Dear Clients,

Please assist us: when the product life is end, to protect our environment, please recycle the product or components, while for the materials that cannot be recycled, please also deal with it in a proper way. Really appreciate your cooperation and support.

## 7 Declaration

- 1、The products, services or functions you purchase are all subject to the commercial contract and terms signed with our company. All or part of the products, services or functions described in this manual may not be included in the scope of the products you purchased.
- 2、Unless otherwise agreed in the contract, the company does not make any express or implied statement or guarantee for the contents of this manual.
- 3、The information in this manual is subject to change without notice.
- 4、The company is not responsible for any indirect losses caused by the provision, display or use of this information.

## 8 Manufacturer Information

|                 |   |
|-----------------|---|
| Manufacturer    | Zhejiang Chint IoT Technology Co.,Ltd.                    |
| Address         | Bridge Industrial Zone, Wenzhou,Zhejiang,China            |
| Tel.            | 86-577-62877777   |
| FAX             | 86-577-62891577   |
| Service Hotline | 86-400-8177777  |
| Website         | <a href="http://aiot.chint.com">http://aiot.chint.com</a> |
| E-mail          | <a href="mailto:ztlw@chint.com">ztlw@chint.com</a>        |