

SUN2000-2-6KTL-L1 Smart Energy Controller



Active Safety

Active Arcing Protection



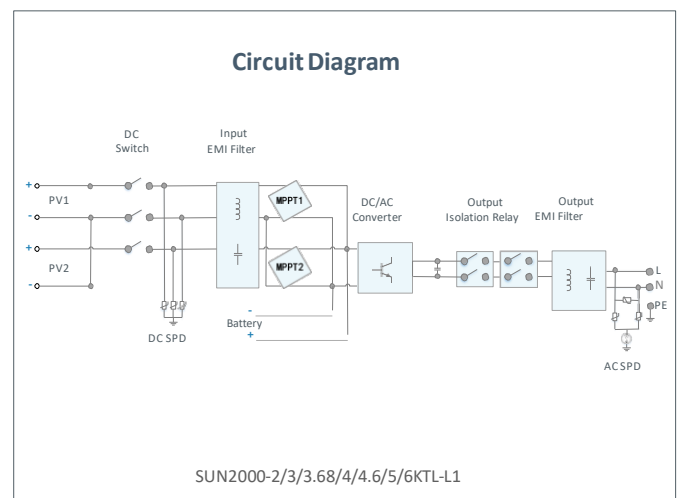
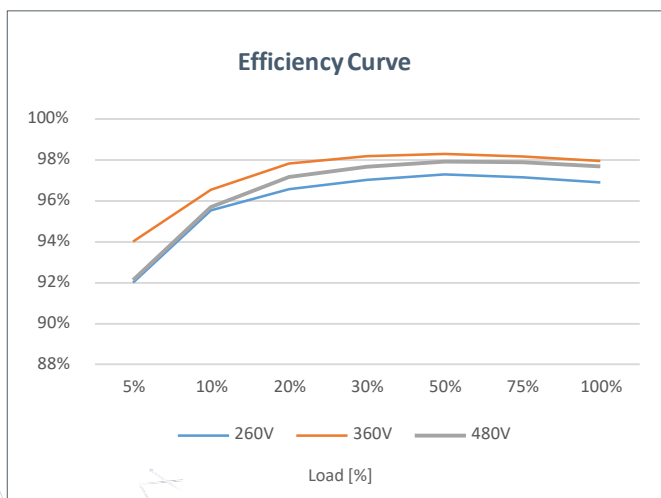
Higher Yields

Up to 30% More Energy
with Optimizer



2x POWER Battery Ready

5KW AC Output plus
5KW Battery Charge



Technical Specification

Technical Specification	SUN2000 -2KTL-L1	SUN2000 -3KTL-L1	SUN2000 -3.68KTL-L1	SUN2000 -4KTL-L1	SUN2000 -4.6KTL-L1	SUN2000 -5KTL-L1	SUN2000 -6KTL-L1
-------------------------	---------------------	---------------------	------------------------	---------------------	-----------------------	---------------------	---------------------

Efficiency

Max. efficiency	98.2 %	98.3 %	98.4 %	98.4 %	98.4 %	98.4 %	98.4 %
European weighted efficiency	96.7 %	97.3 %	97.3 %	97.5 %	97.7 %	97.8 %	97.8 %

Input (PV)

Recommended max. PV power ¹	3,000 Wp	4,500 Wp	5,520 Wp	6,000 Wp	6,900 Wp	7,500 Wp	9,000 Wp
Max. input voltage ²	600 V						
Start-up voltage	100 V						
MPPT operating voltage range	90 V – 560 V						
Rated input voltage	360 V						
Max. input current per MPPT	12.5 A						
Max. short-circuit current	18 A						
Number of MPP trackers	2						
Max. input number per MPP tracker	1						

Input (DC Battery)

Compatible battery	HUAWEI Smart String ESS Battery 5kWh – 30kWh ³						
Operating voltage range	350 ~ 560 Vdc						
Max operating current	15 A						
Max charge power	5,000 W						
Max discharge power	2,200 W	3,300 W	3,680 W	4,400 W	4,600 W	5,000 W	5000 W

Output (On Grid)

Grid connection	Single phase						
Rated output power	2,000 W	3,000 W	3,680 W	4,000 W	4,600 W	5,000 W	6,000 W
Max. apparent power	2,200 VA	3,300 VA	3,680 VA	4,400 VA	5,000 VA	5,500 VA	6,000 VA
Rated output voltage	220 Vac / 230 Vac / 240 Vac						
Rated AC grid frequency	50 Hz / 60 Hz						
Max. output current	10 A	15 A	16 A	20 A	23 A	25 A	27.3 A
Adjustable power factor	0.8 leading ... 0.8 lagging						
Max. total harmonic distortion	≤ 3 %						
Backup power output	Yes (via Backup Box - B0)						

Protection & Feature

Anti-Islanding protection	Yes						
DC reverse polarity protection	Yes						
Insulation monitoring	Yes						
DC surge protection	Yes, compatible with TYPE II protection class according to EN/IEC 61643-11						
AC surge protection	Yes, compatible with TYPE II protection class according to EN/IEC 61643-11						
Residual current monitoring	Yes						
AC overcurrent protection	Yes						
AC short-circuit protection	Yes						
AC overvoltage protection	Yes						
Over-heat protection	Yes						
Arc fault protection	Yes						
Battery reverse charging from grid	Yes						

General Data

Operating temperature range	-25 ~ +60 °C (Derating above 45 °C @ Rated output power)						
Relative operating humidity	0 %RH ~ 100 %RH						
Operating altitude	0 ~ 4,000 m (Derating above 2,000 m)						
Cooling	Natural convection						
Display	LED indicators; integrated WLAN + FusionSolar APP						
Communication	RS485, WLAN via inverter built-in WLAN module Ethernet via Smart Dongle-WLAN-FE (Optional); 4G / 3G / 2G via Smart Dongle-4G (Optional)						
Weight (incl. mounting bracket)	12.0 kg (26.5 lb)						
Dimension (incl. mounting bracket)	365mm * 365mm * 156 mm (14.4 x 14.4 x 6.1 inch)						
Degree of protection	IP65						
Nighttime power consumption	< 2.5 W						

Optimizer Compatibility

DC MBUS compatible optimizer	SUN2000-450W-P2, SUN2000-600W-P						
------------------------------	---------------------------------	--	--	--	--	--	--

Standard Compliance (more available upon request)

Safety	EN/IEC 62109-1, EN/IEC 62109-2						
Grid connection standards	G98, G99, EN 50549-1, CEI 0-21, VDE-AR-N-4105, AS 4777.2, C10/11, ABNT, UTE C15-712, RD 1699, TOR D4, IEC61727, IEC62116						

*1 Inverter max input PV power is 10,000 Wp when long strings are designed and fully connected with SUN2000-450W-P power optimizers.

*2 The maximum input voltage and operating voltage upper limit will be reduced to 495 V when inverter connects and works with LG battery.

*3 2,500 W @ 5kWh HUAWEI ESS battery